



Leader 

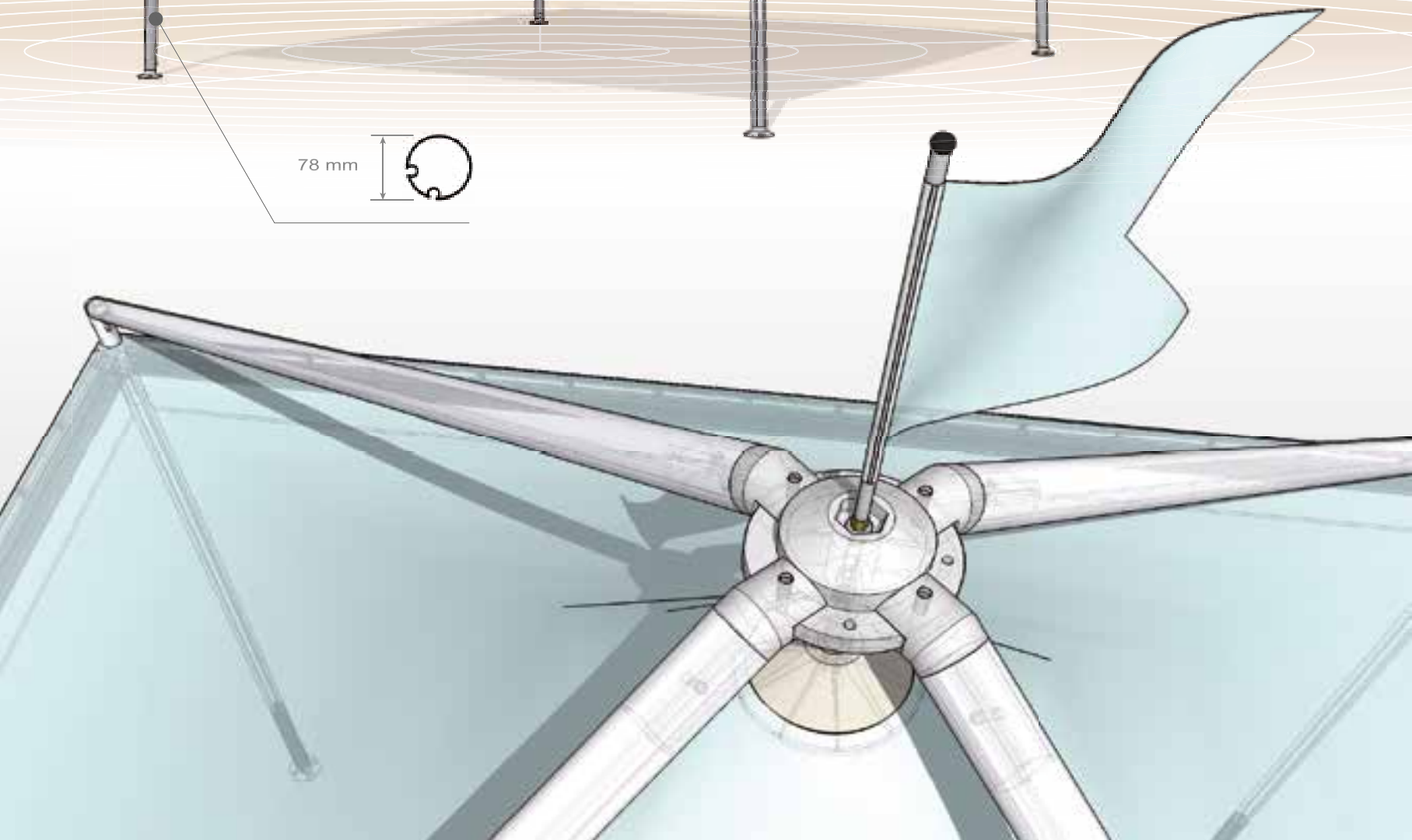
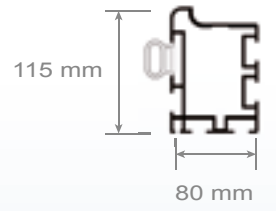
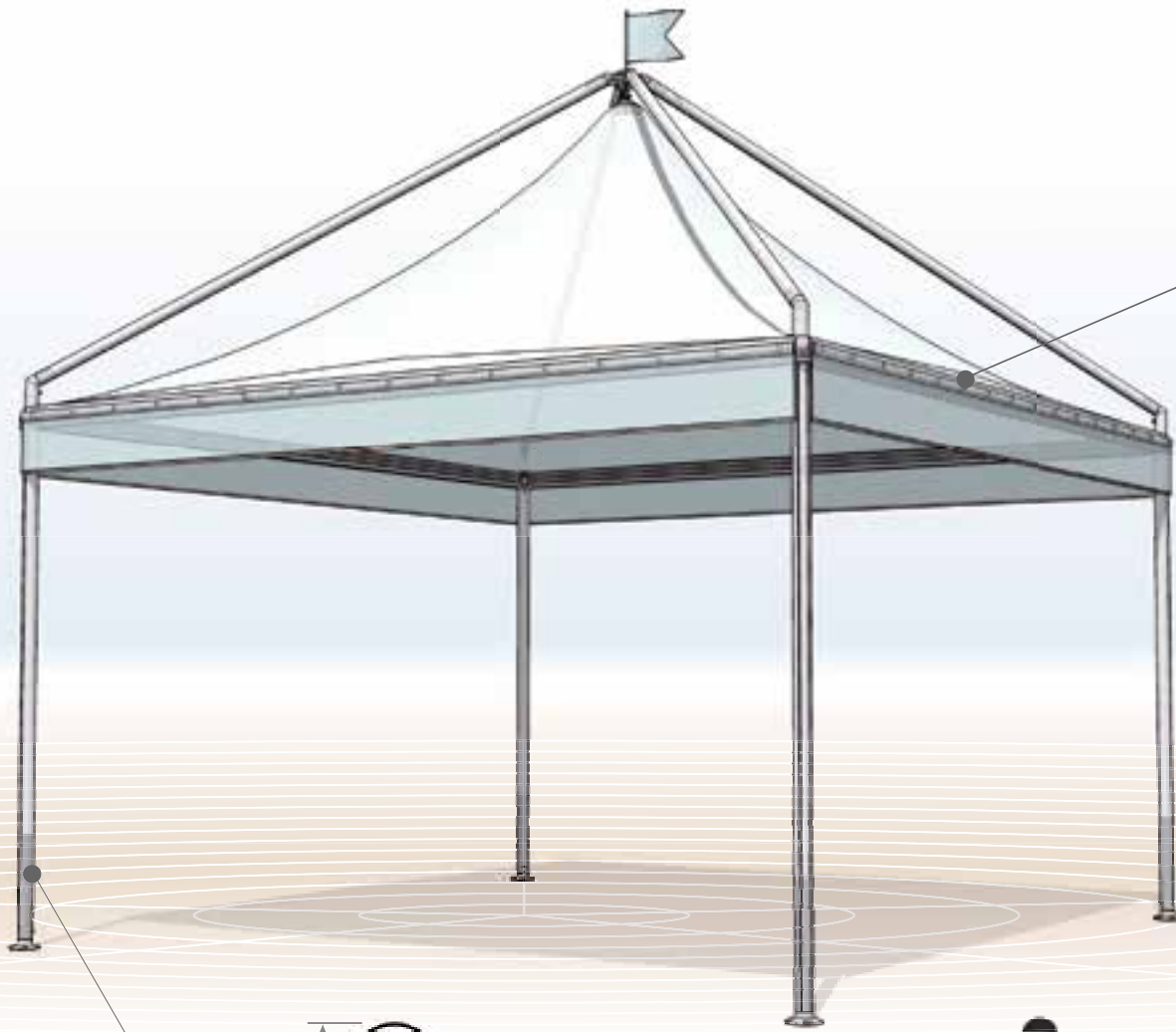
DIMENSIONS

Leader 4									Leader 6					Leader 8						
 H2 H1 A B			 H2 H1 A B			 H2 H1 D E A					 H2 H1 D E A									
A=B (cm)	H1 (cm)	H2 (cm)	AREA (m ²)	A (cm)	B (cm)	H1 (cm)	H2 (cm)	AREA (m ²)	A (cm)	H1 (cm)	H2 (cm)	D (cm)	E (cm)	AREA (m ²)	A (cm)	H1 (cm)	H2 (cm)	D (cm)	E (cm)	AREA (m ²)
300	*	150	9,00	300	400	*	170	12,00	300	*	200	600	520	23,40	300	*	250	785	725	43,50
400	*	190	16,00	300	500	*	195	15,00	400	*	255	800	690	41,50	400	*	330	1045	965	77,50
500	*	230	25,00	300	600	*	220	18,00	500	*	305	1000	865	65,00						
600	*	270	36,00	400	500	*	210	20,00												
				400	600	*	235	24,00												
				500	600	*	250	30,00												

Leader MULTI													
 H2 H1 A B= 2 X A				 H2 H1 A B= 3 X A				 H2 H1 A B					
A (cm)	B (cm)	H1 (cm)	H2 (cm)	AREA (m ²)	A (cm)	B (cm)	H1 (cm)	H2 (cm)	AREA (m ²)	A=B (cm)	H1 (cm)	H2 (cm)	AREA (m ²)
300	600	*	150	18,00	300	900	*	150	27,00	700	*	170	49,00
400	800	*	190	32,00	400	1200	*	190	48,00				
500	1000	*	230	50,00	500	1500	*	230	75,00				
600	1200	*	270	72,00	600	1800	*	270	108,00				

* = The tent is supplied with static calculations for a max eave height of 300 cm.

TECHNICAL DETAILS

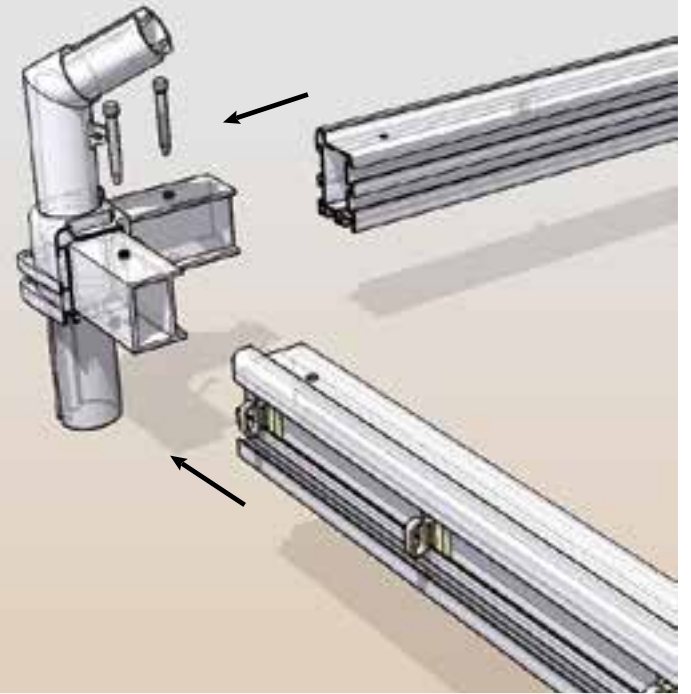


ASSEMBLY

1



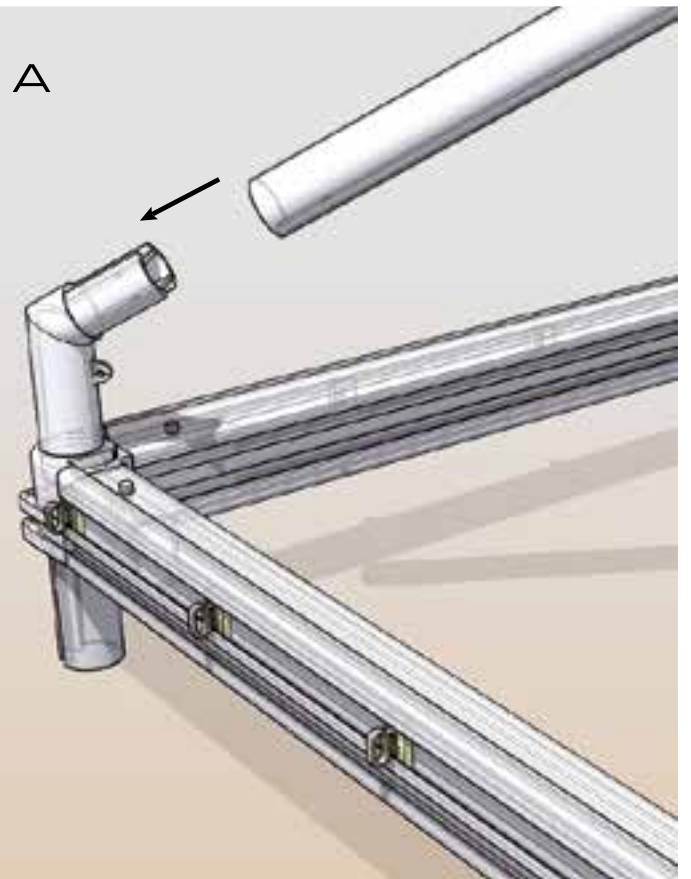
A



2

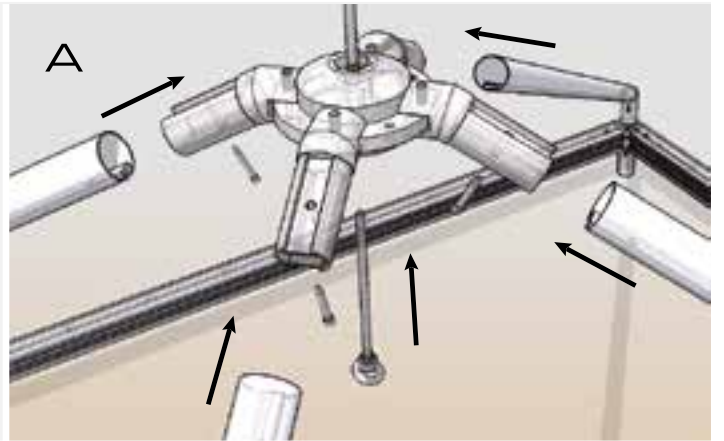
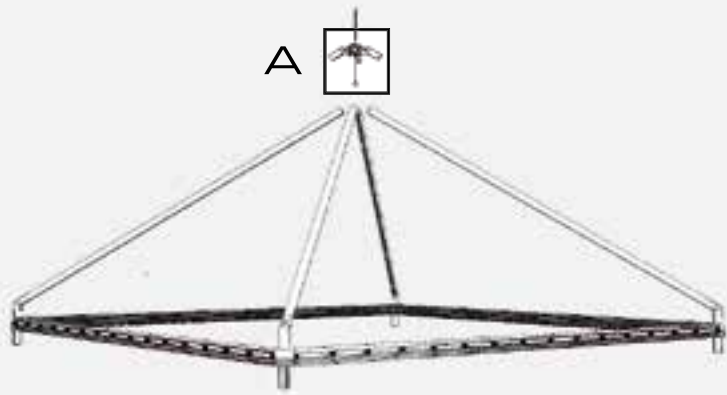


A

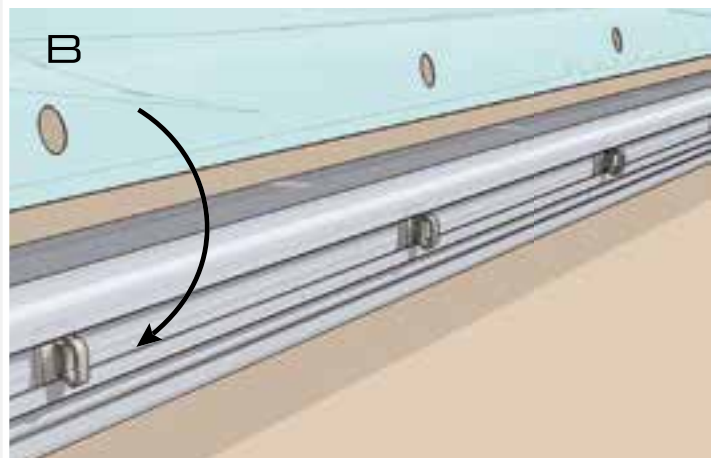
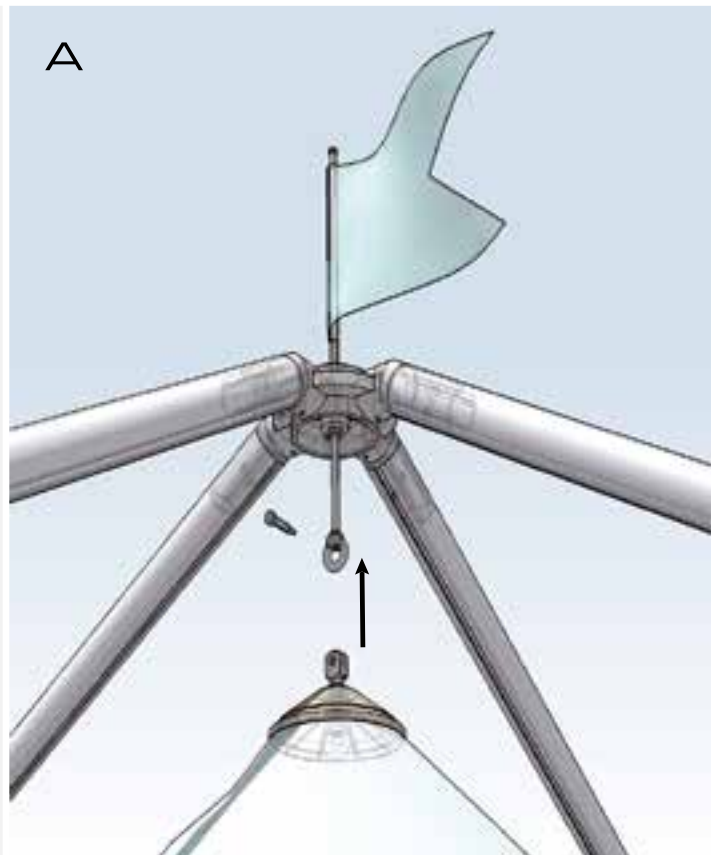
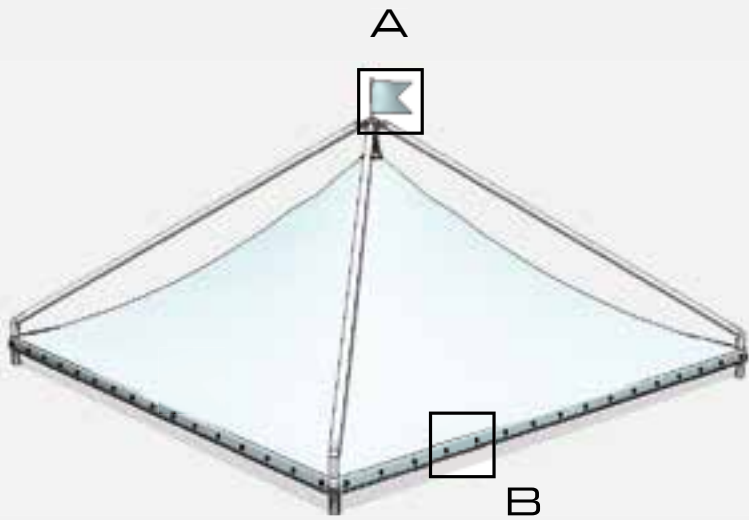


ASSEMBLY

3

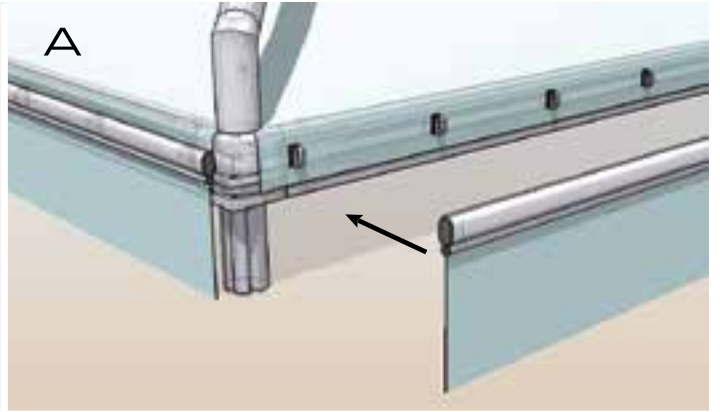
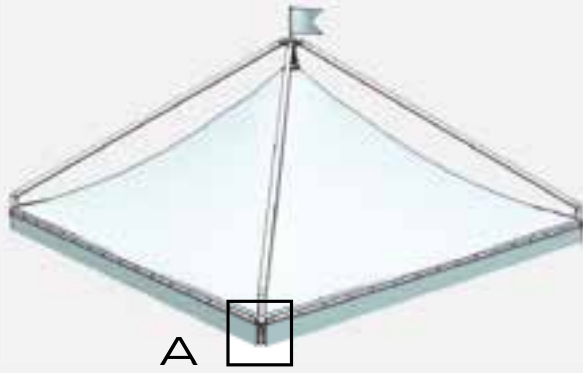


4

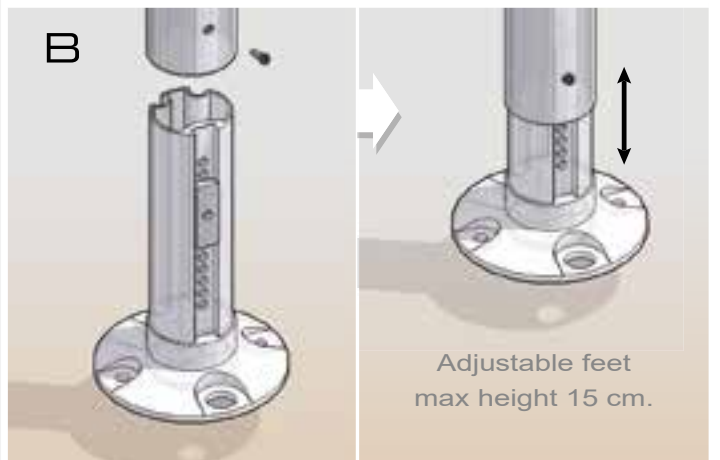
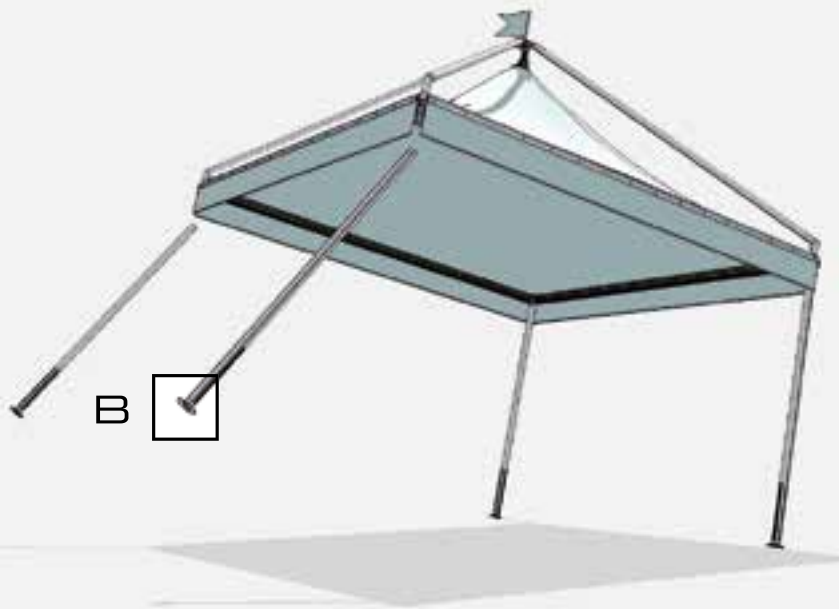
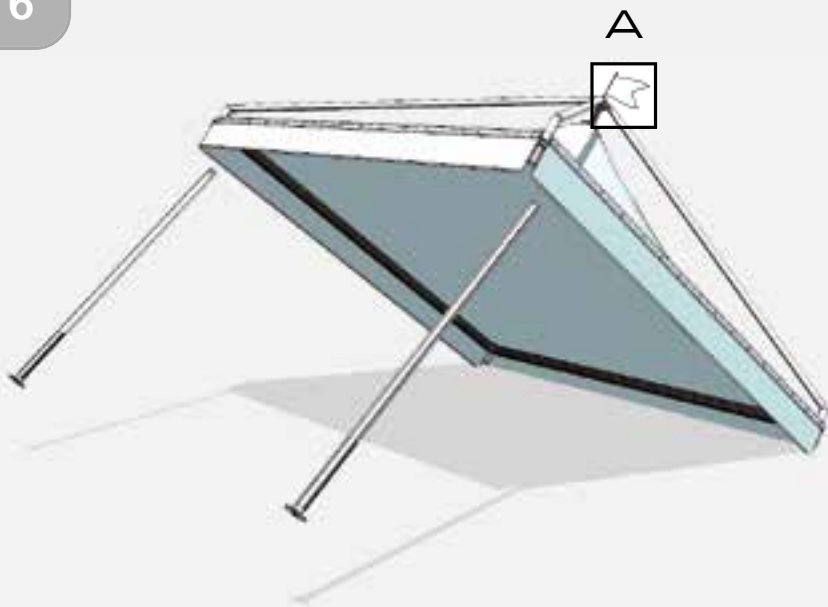


ASSEMBLY

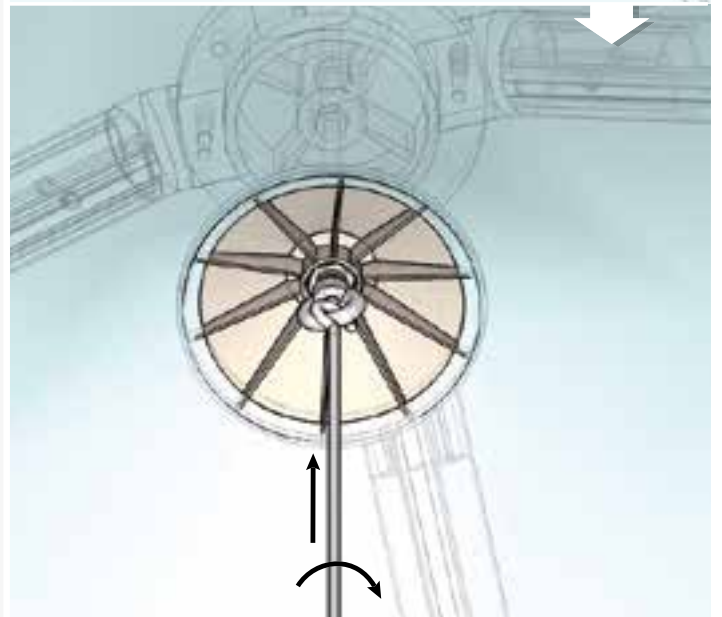
5



6

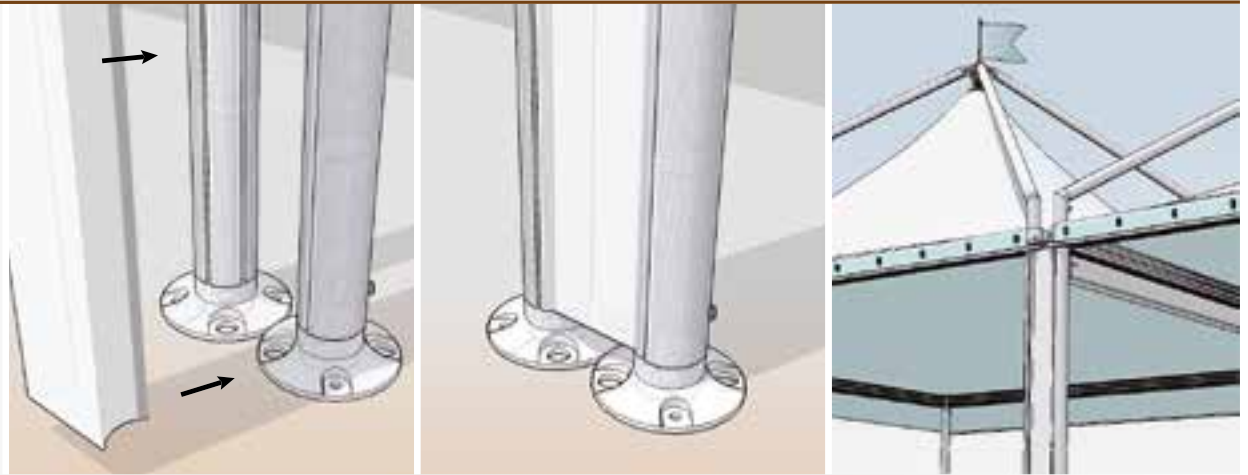
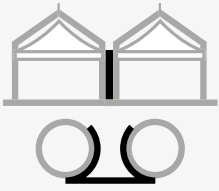


7

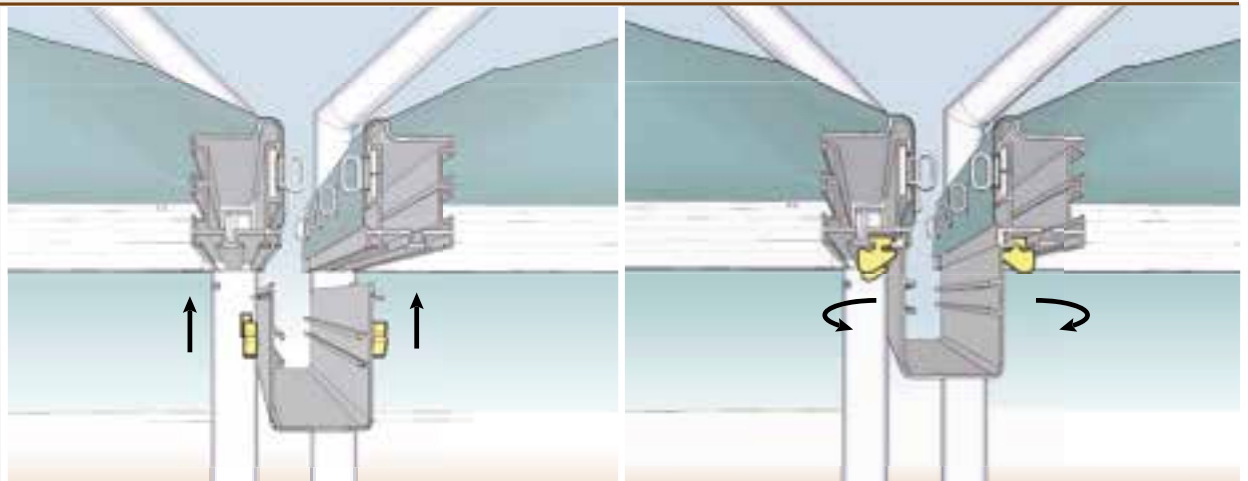
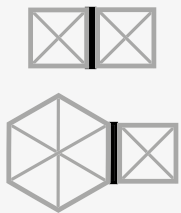


OPTIONS - FRAME

JUNCTION FILLER



KIT FOR MODULES' CONNECTION



CENTRAL JOINT







Giulio Barbieri S.r.l.

www.giuliobarbieri.it

Via Ferrara, 41

44028 Poggio Renatico (FE) - Italy

info@giuliobarbieri.it

Tel. (+39) 0532 821511

Fax (+39) 0532 821555

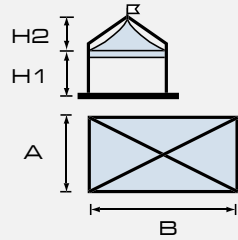
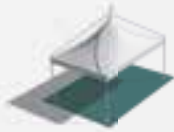
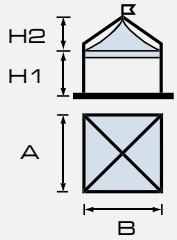




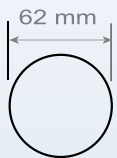
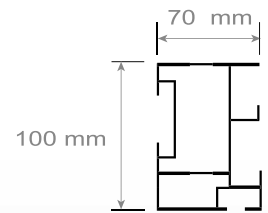
Summer 4

DIMENSIONS AND TECHNICAL DETAILS

Summer 4

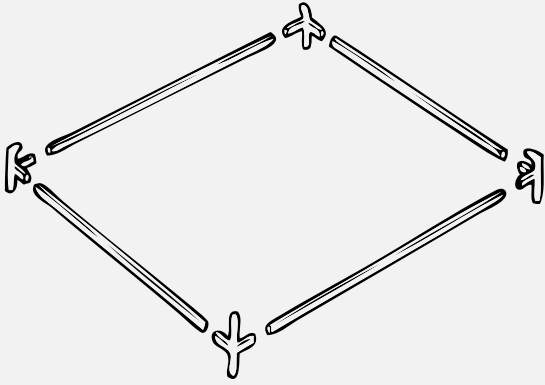


A=B (cm)	H1 (cm)	H2 (cm)	AREA (m ²)	A (cm)	B (cm)	H1 (cm)	H2 (cm)	AREA (m ²)
300	250	150	9,00	300	400	250	170	12,00
400	250	190	16,00	300	500	250	195	15,00
500	250	230	25,00	300	600	250	220	18,00
600	250	270	36,00	400	500	250	210	20,00
				400	600	250	235	24,00
				500	600	250	250	30,00

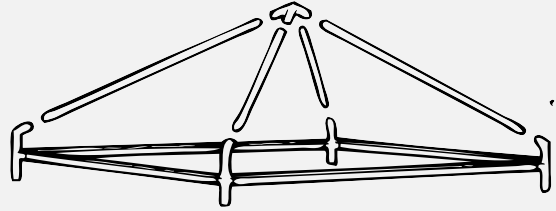


ASSEMBLY

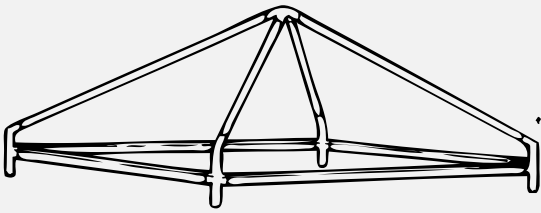
1



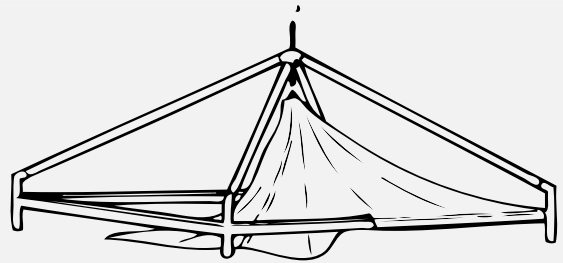
2



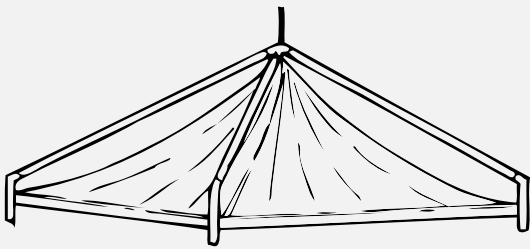
3



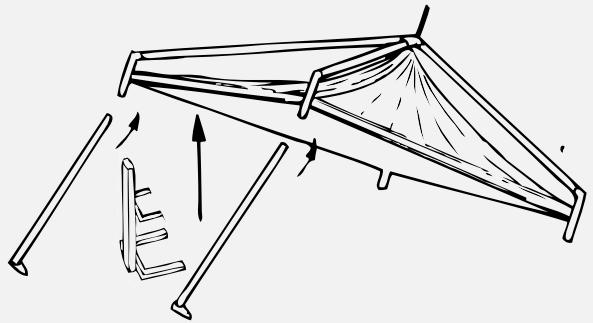
4



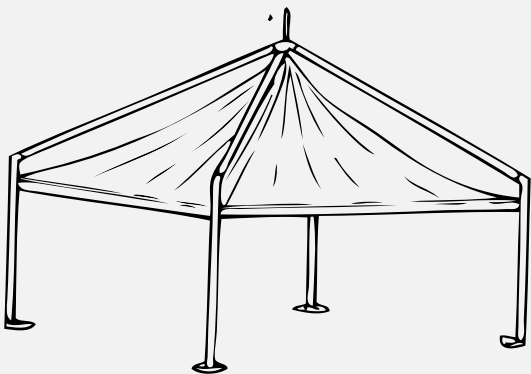
5



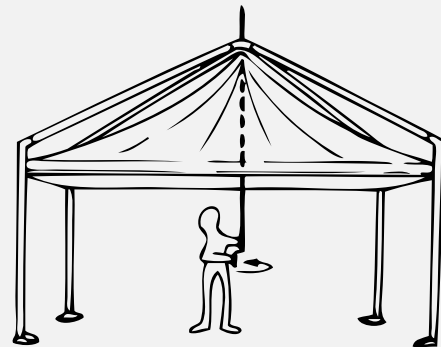
6



7

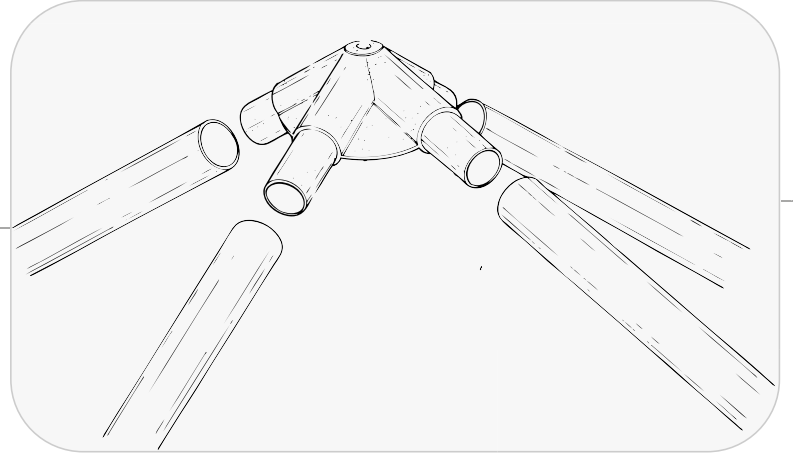
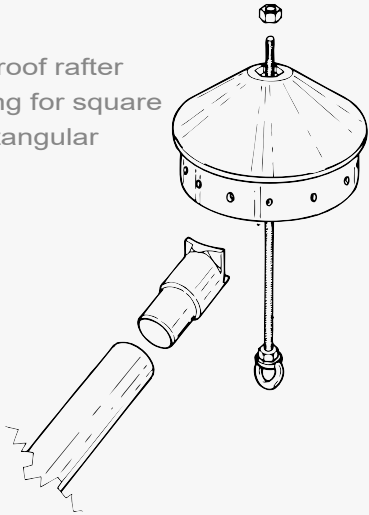


8

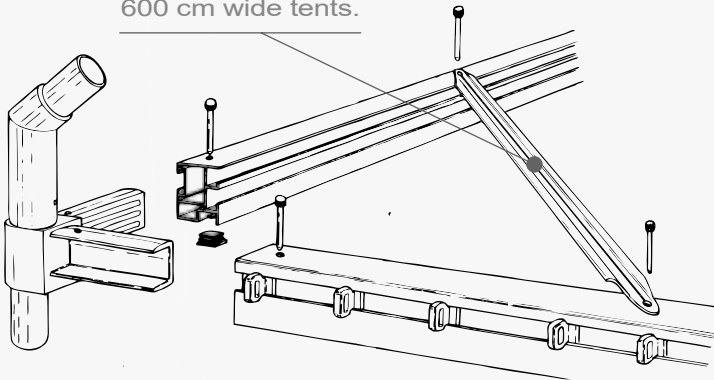


TECHNICAL DRAWINGS

Crown, roof rafter and fitting for square and rectangular shapes.

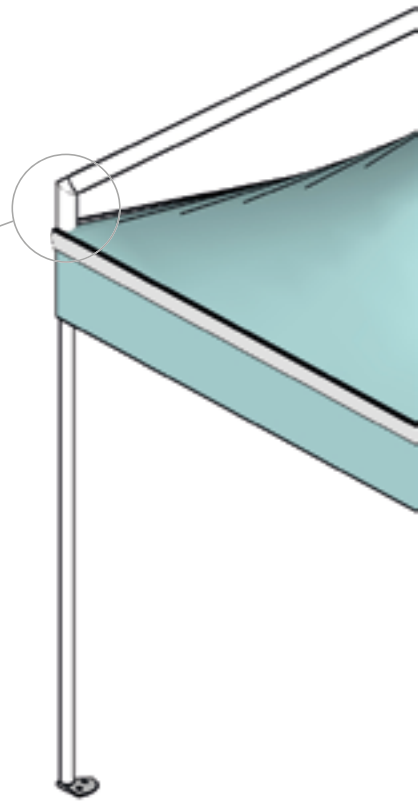
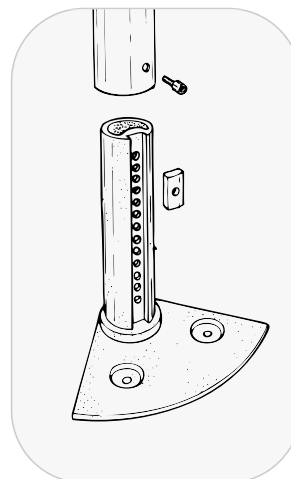
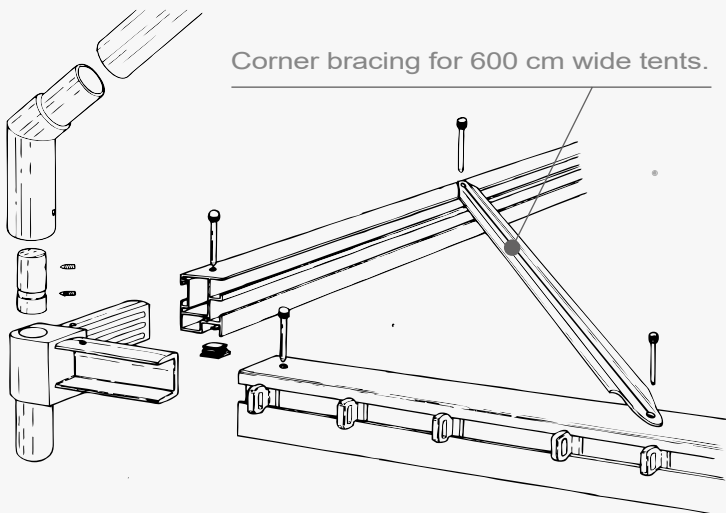


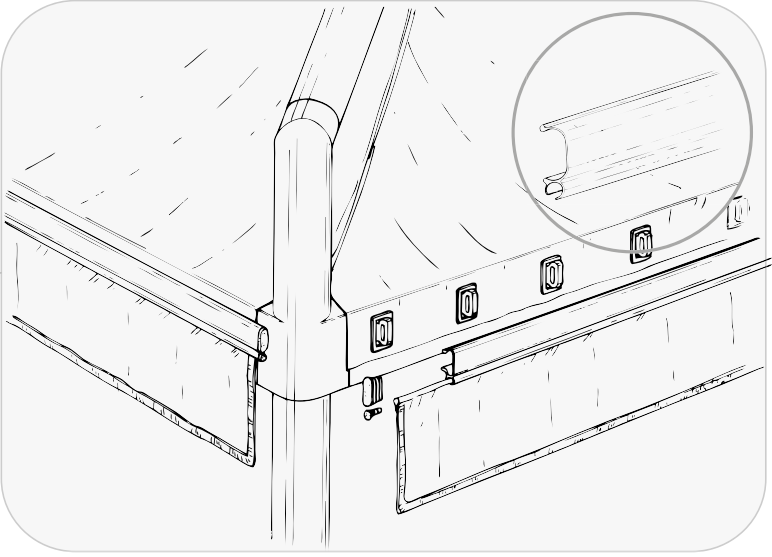
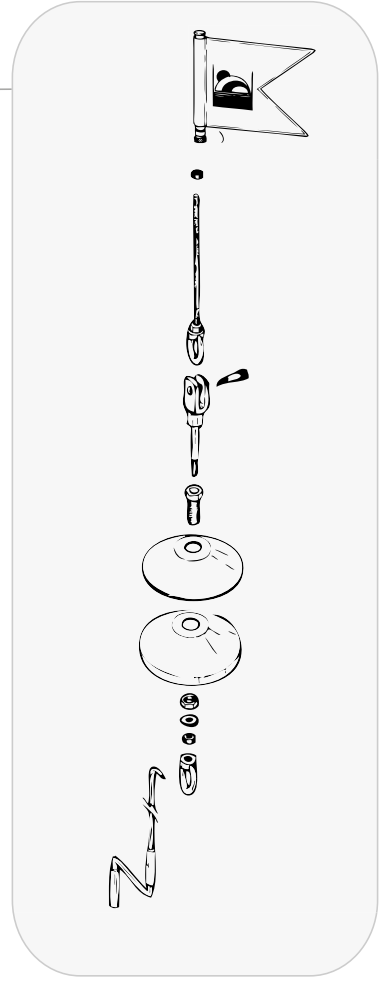
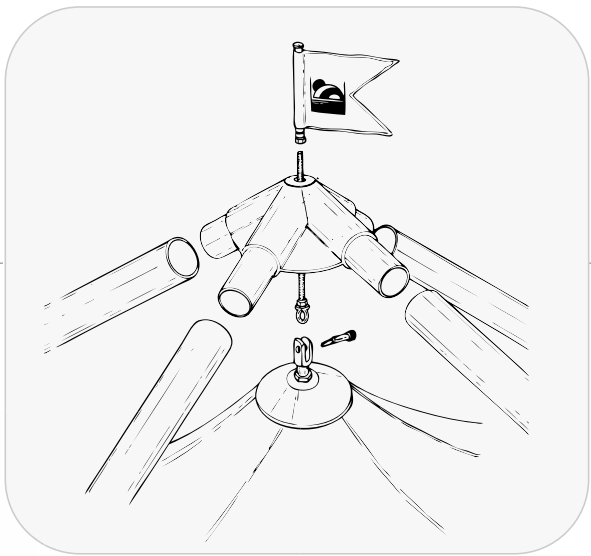
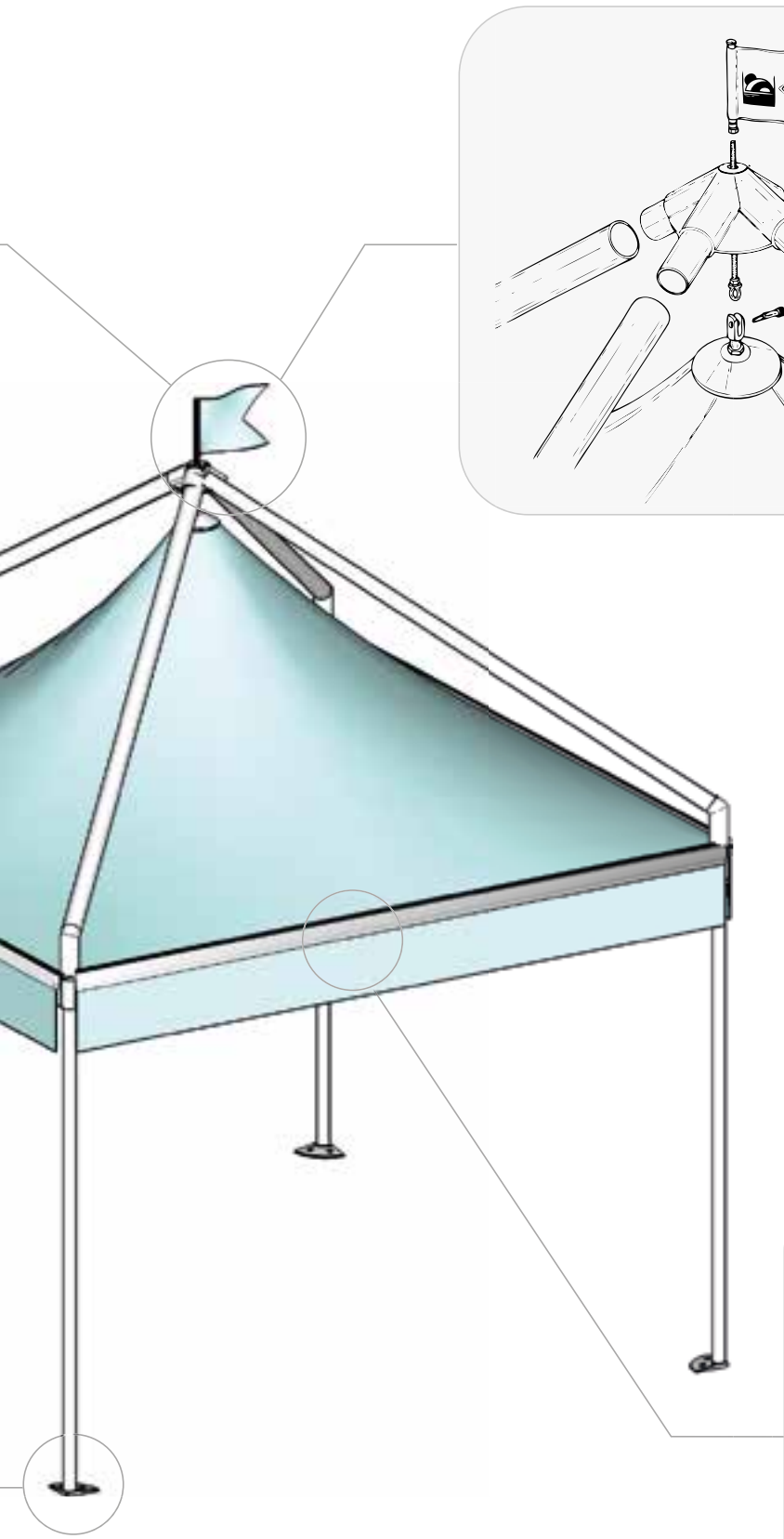
Corner bracing for 600 cm wide tents.



CORNER FOR RECTANGULAR SHAPES

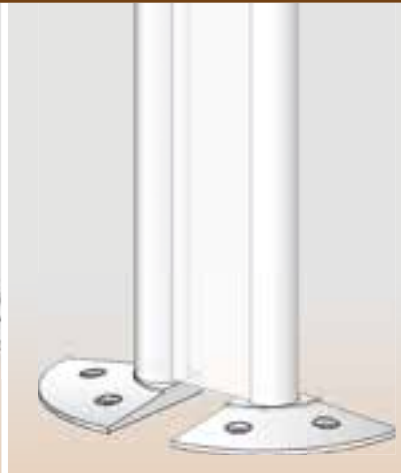
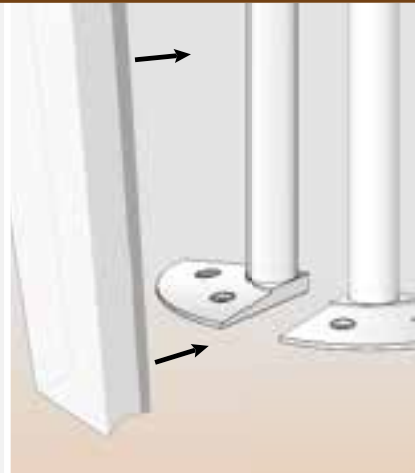
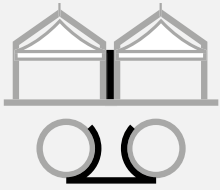
Corner bracing for 600 cm wide tents.



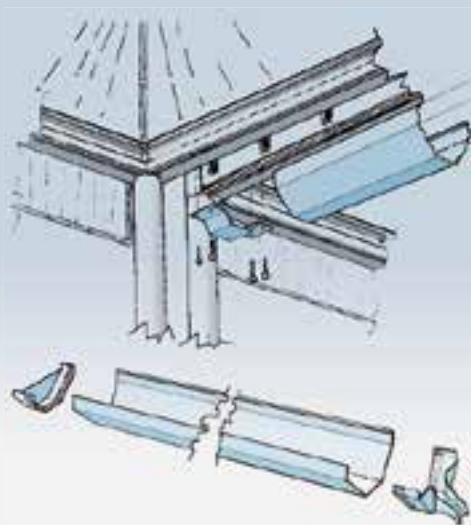


OPTIONS - FRAME

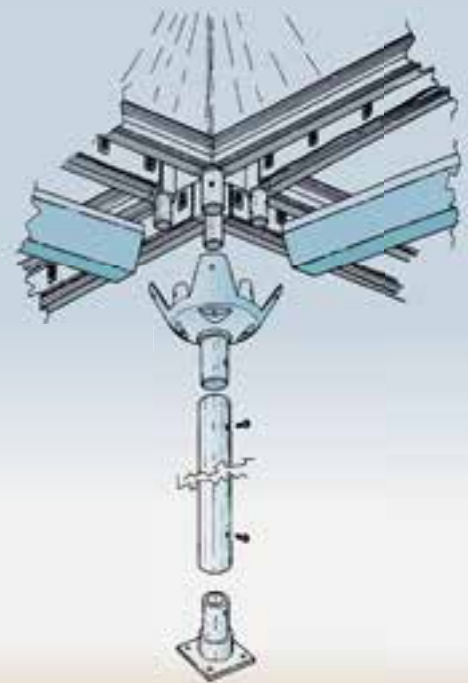
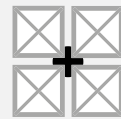
JUNCTION FILLER



KIT FOR MODULES' CONNECTION



CENTRAL JOINT







Giulio Barbieri S.r.l.

www.giuliobarbieri.it

Via Ferrara, 41

44028 Poggio Renatico (FE) - Italy

info@giuliobarbieri.it

Tel. (+39) 0532 821511

Fax (+39) 0532 821555

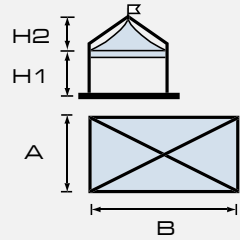
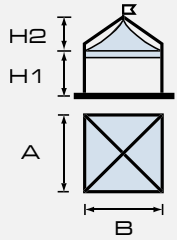




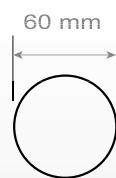
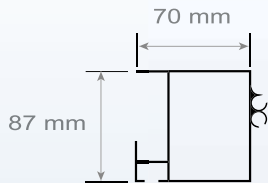
SILVER

DIMENSIONS AND TECHNICAL DETAILS

SILVER

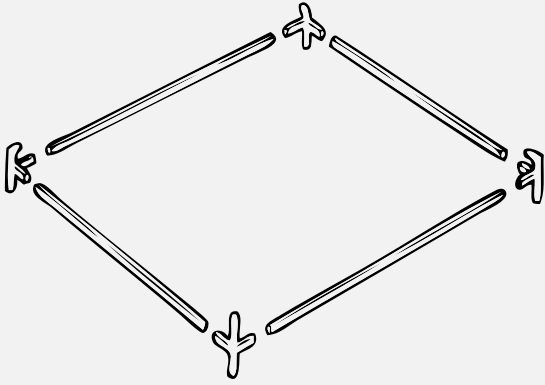


A=B (cm)	H1 (cm)	H2 (cm)	AREA (m ²)	A (cm)	B (cm)	H1 (cm)	H2 (cm)	AREA (m ²)
300	250	150	9,00	300	400	250	170	12,00
400	250	190	16,00					

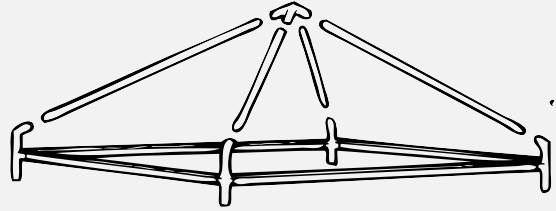


ASSEMBLY

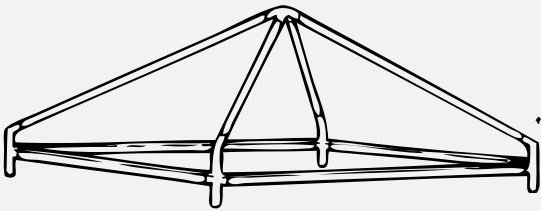
1



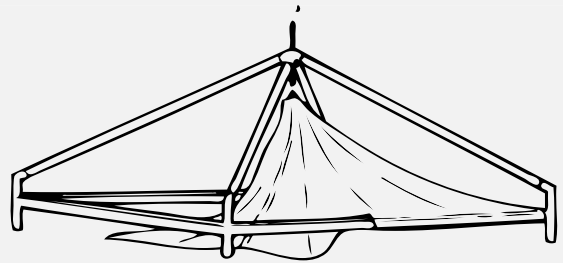
2



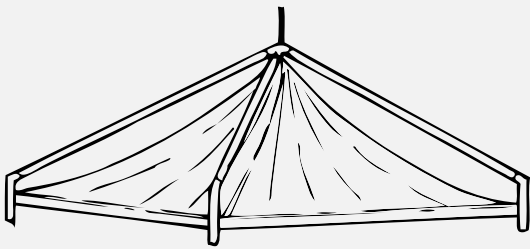
3



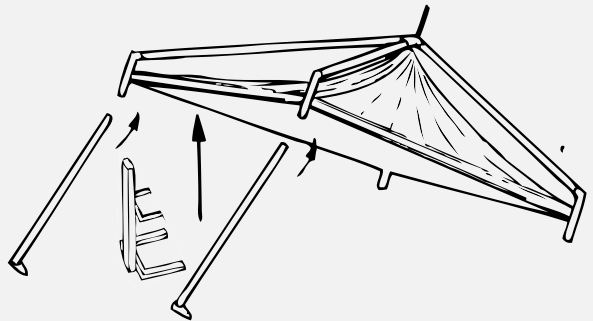
4



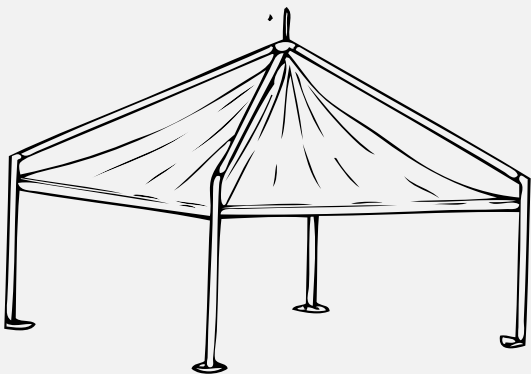
5



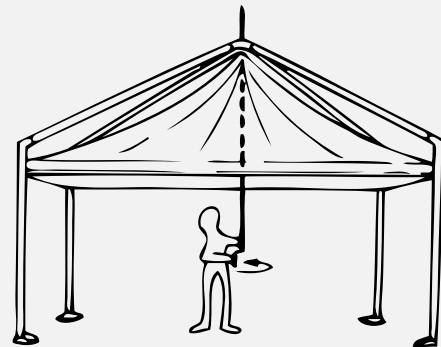
6



7

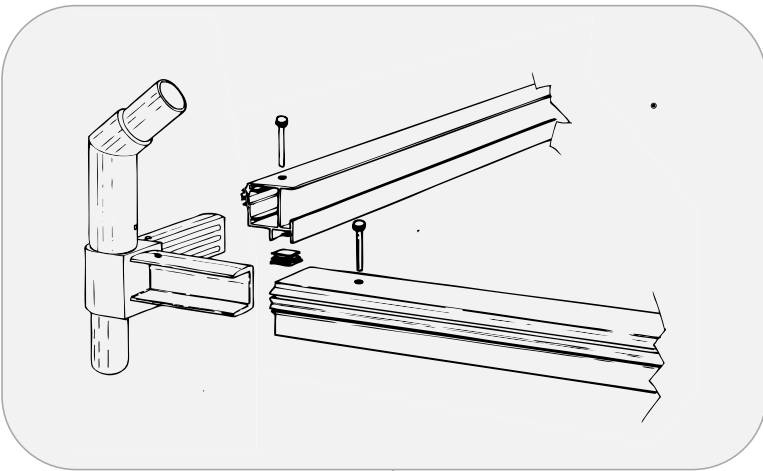
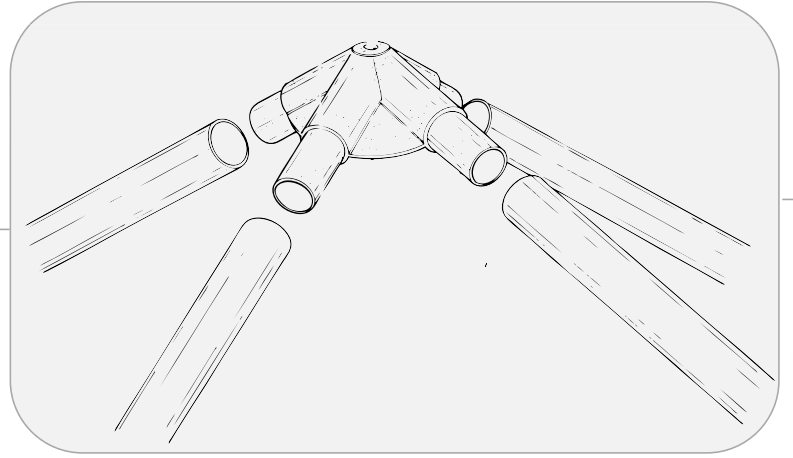
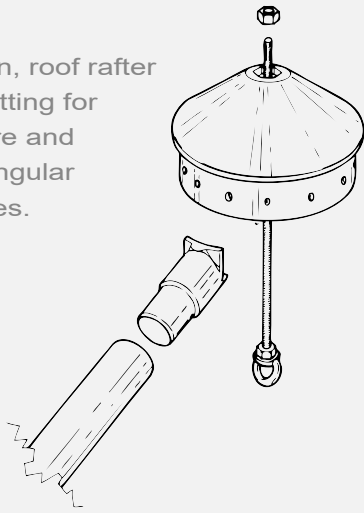


8

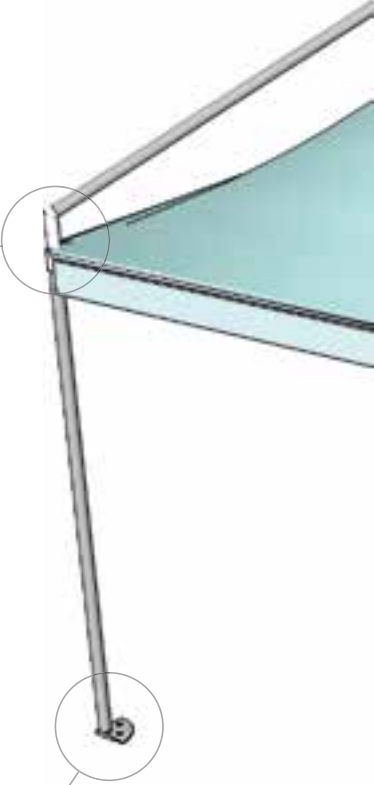
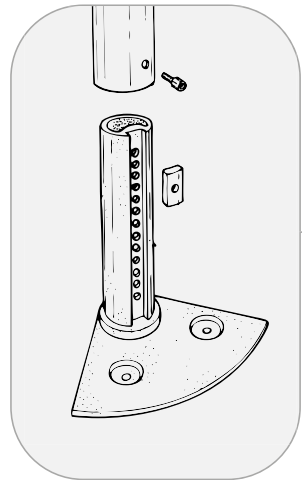
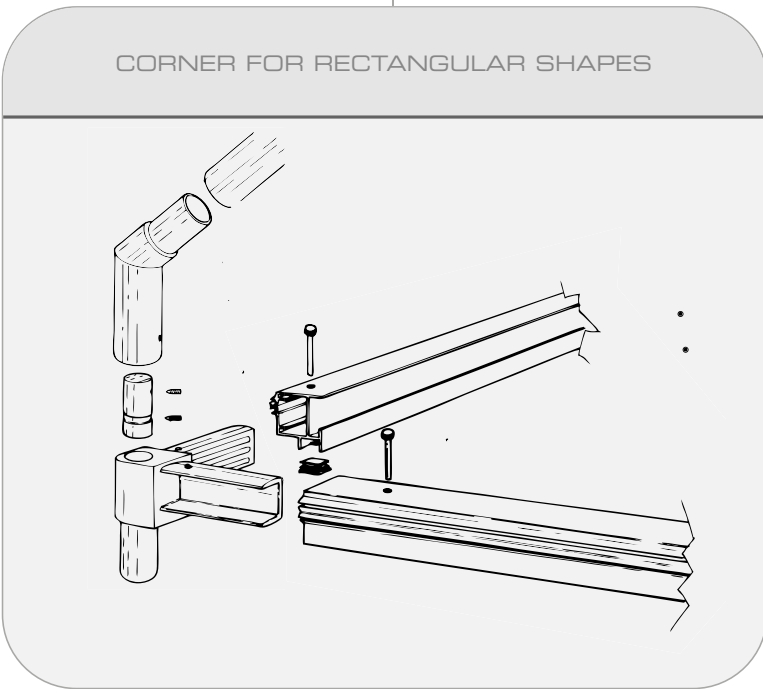


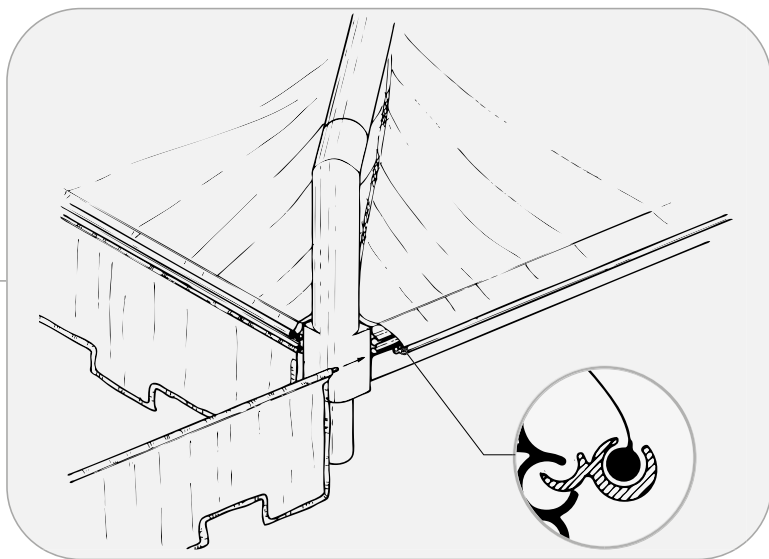
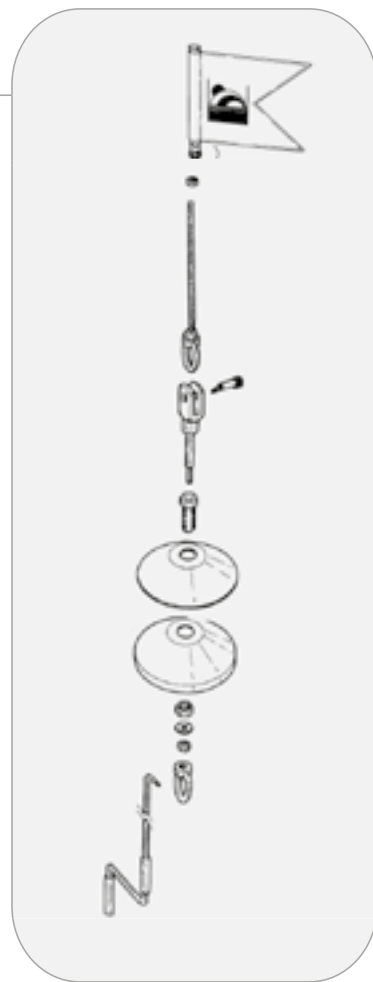
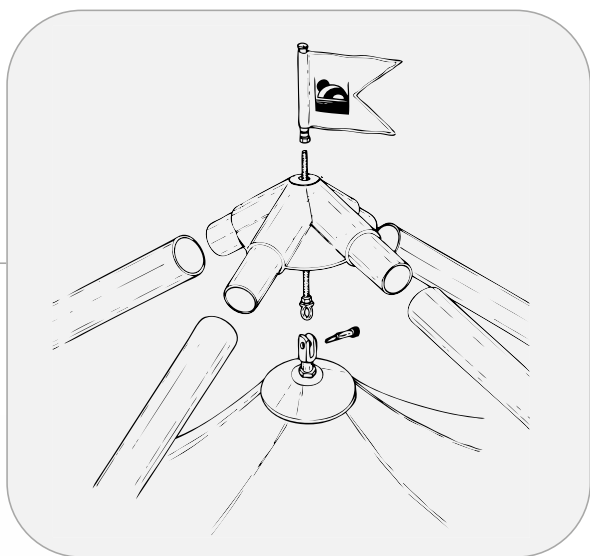
TECHNICAL DRAWINGS

Crown, roof rafter and fitting for square and rectangular shapes.



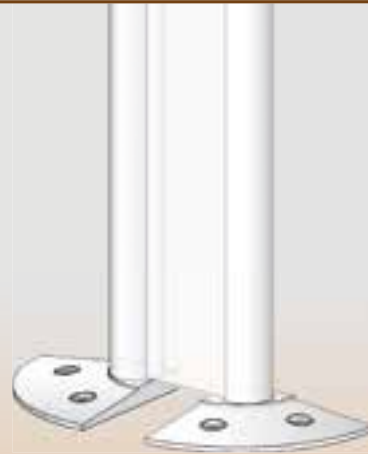
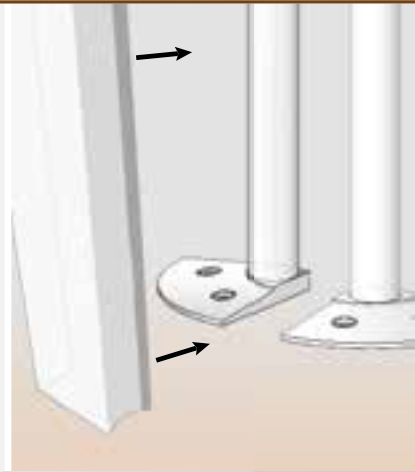
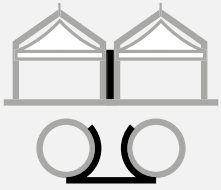
CORNER FOR RECTANGULAR SHAPES



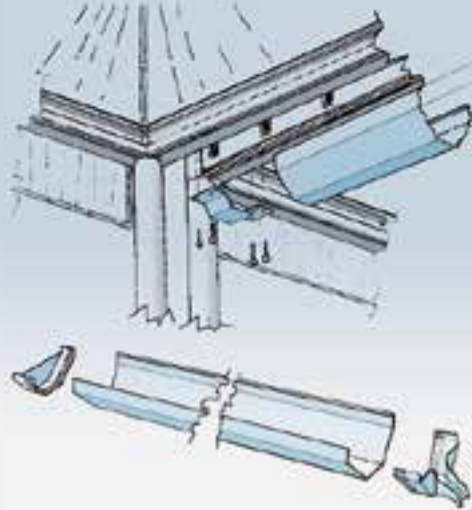


OPTIONS - FRAME

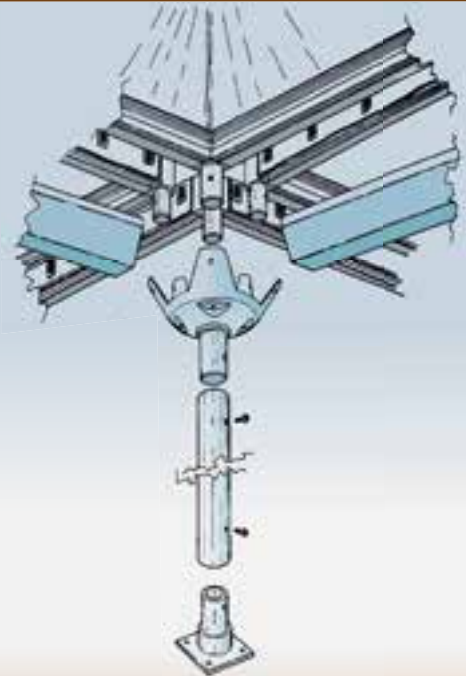
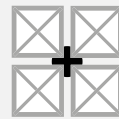
JUNCTION FILLER



KIT FOR MODULES' CONNECTION



CENTRAL JOINT







GIULIO BARBIERI
OUTDOOR SOLUTIONS

Giulio Barbieri S.r.l.

www.giuliobarbieri.it

Via Ferrara, 41

44028 Poggio Renatico (FE) - Italy

info@giuliobarbieri.it

Tel. (+39) 0532 821511

Fax (+39) 0532 821555

