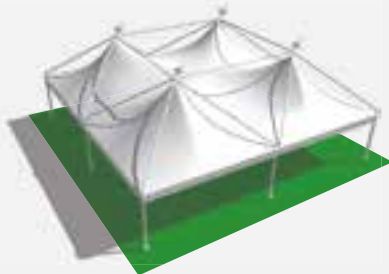
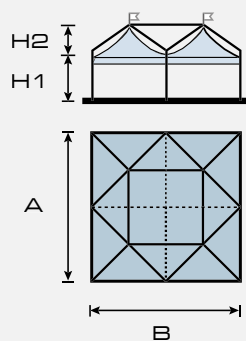
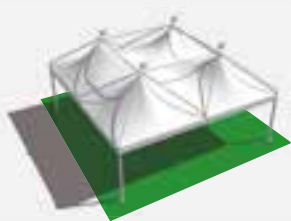
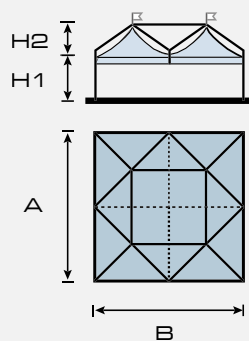




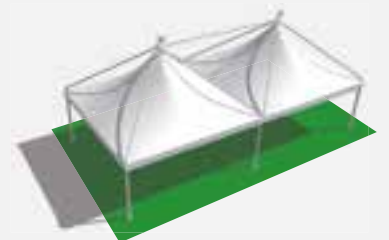
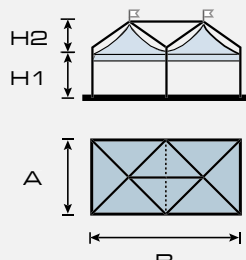
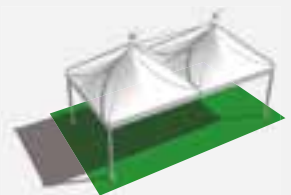
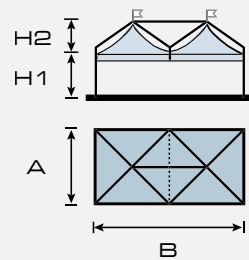
Elite

DIMENSIONS



A=B (cm)	H1 (cm)	H2 (cm)	AREA (m ²)
800	*	185	64,0

A=B (cm)	H1 (cm)	H2 (cm)	AREA (m ²)
1000	*	226	100,0
1200	*	270	144,0
1300	*	288	169,0



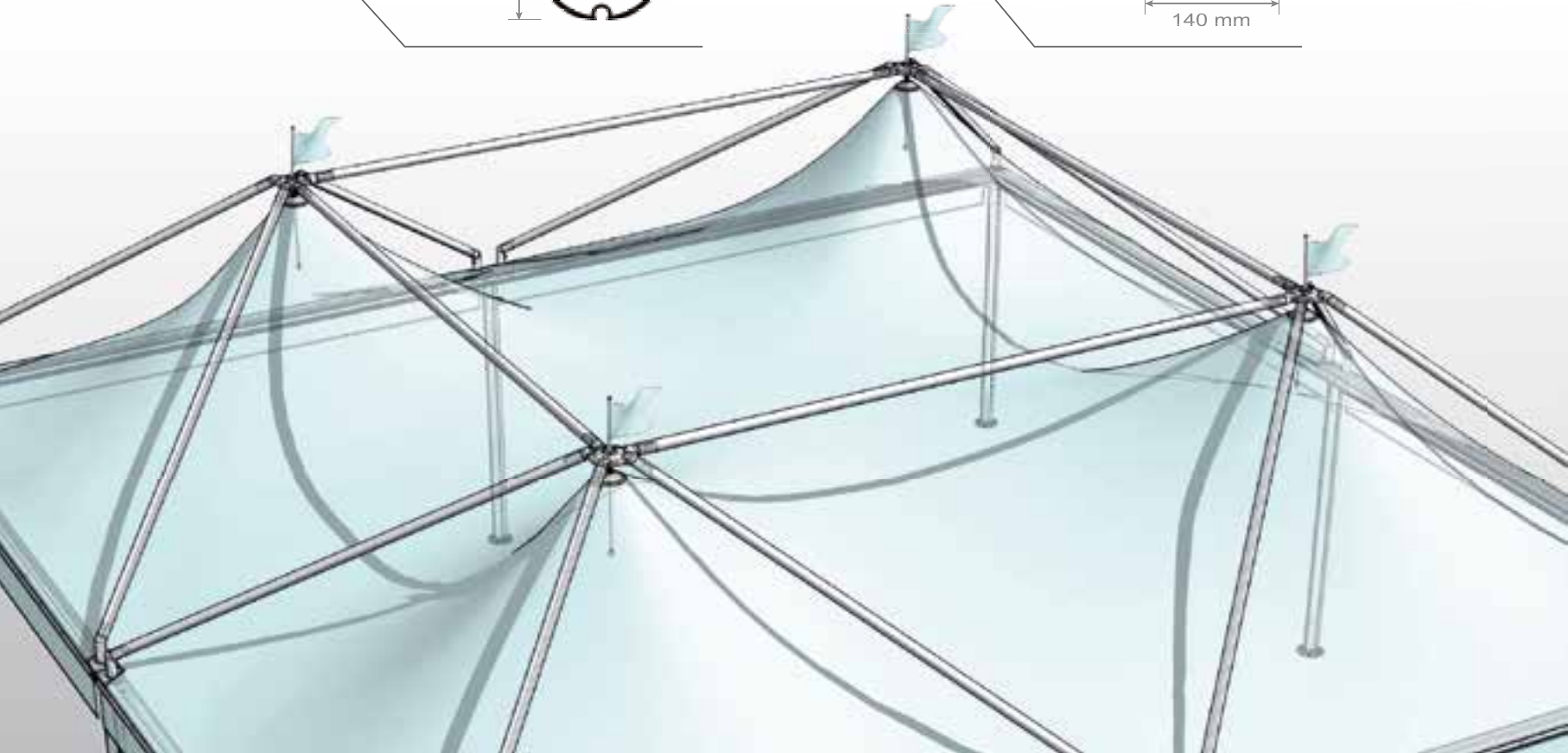
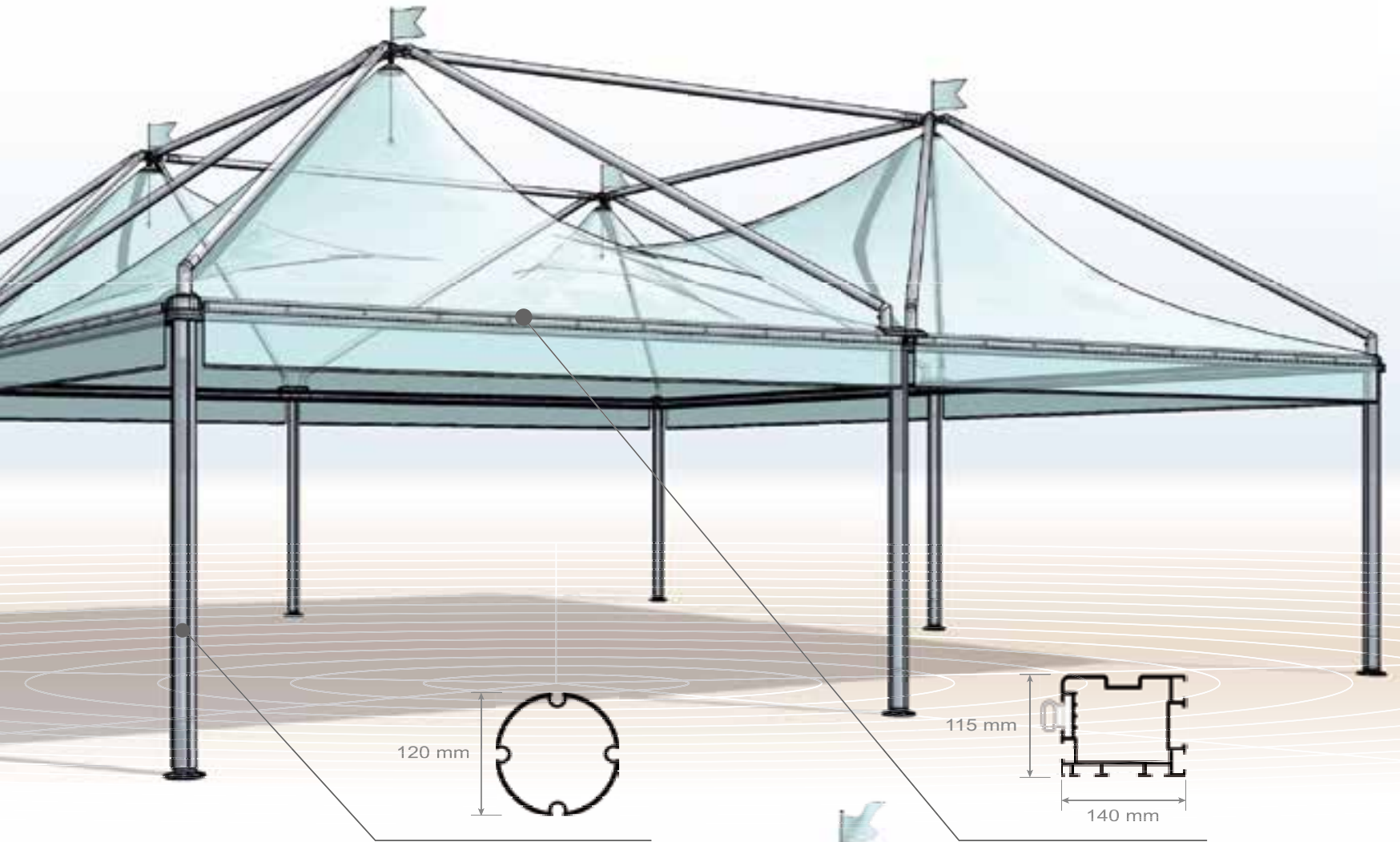
A (cm)	B (cm)	H1 (cm)	H2 (cm)	AREA (m ²)
400	800	*	185	32,0

A (cm)	B (cm)	H1 (cm)	H2 (cm)	AREA (m ²)
500	1000	*	226	50,0
600	1200	*	270	72,0

* = The tent is supplied with static calculations for a max eave height of 300 cm.

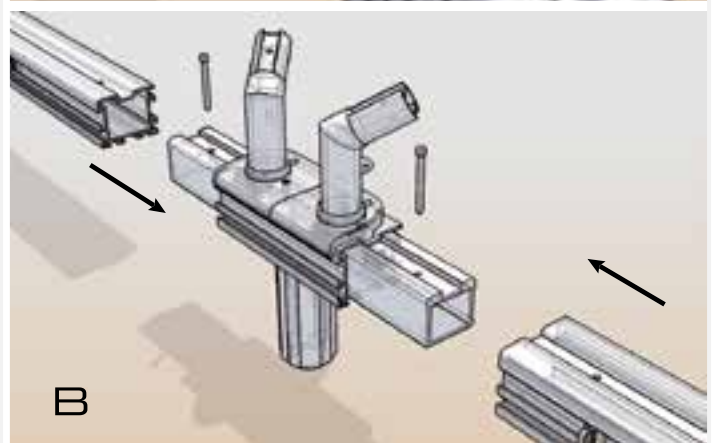
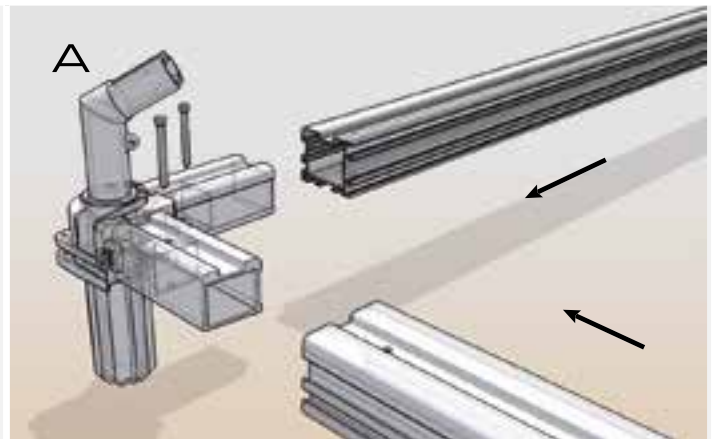


TECHNICAL DETAILS

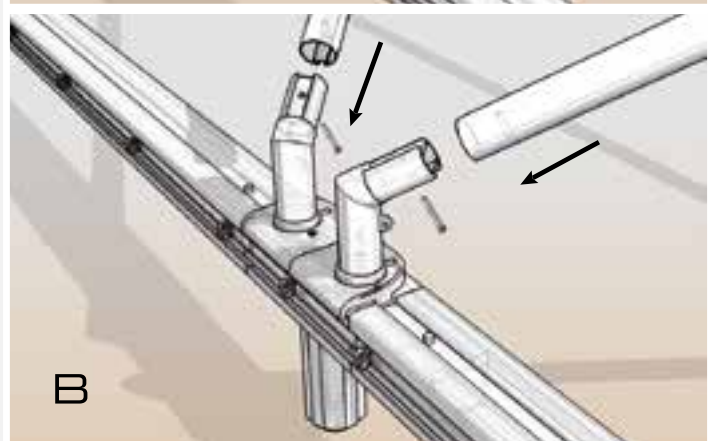
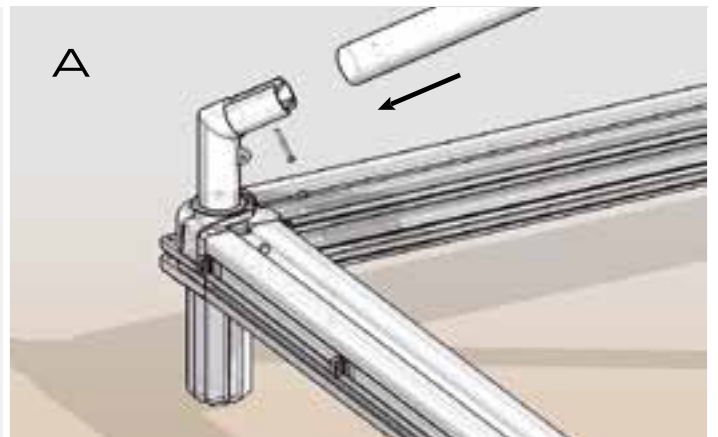


ASSEMBLY

1

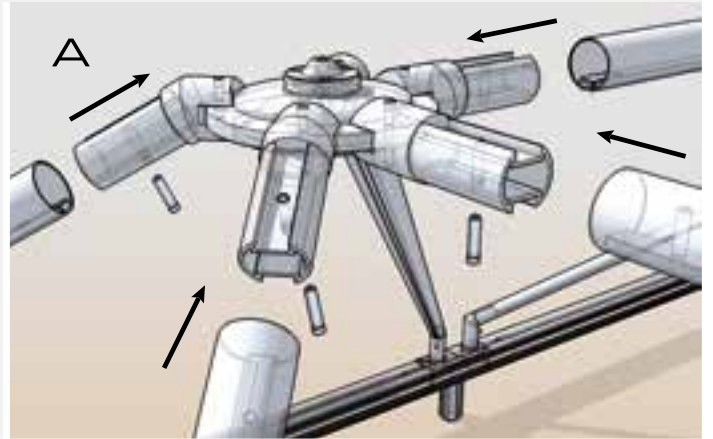


2

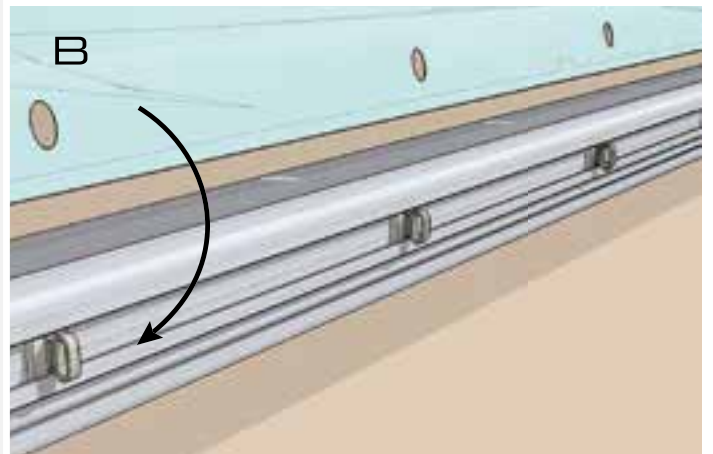
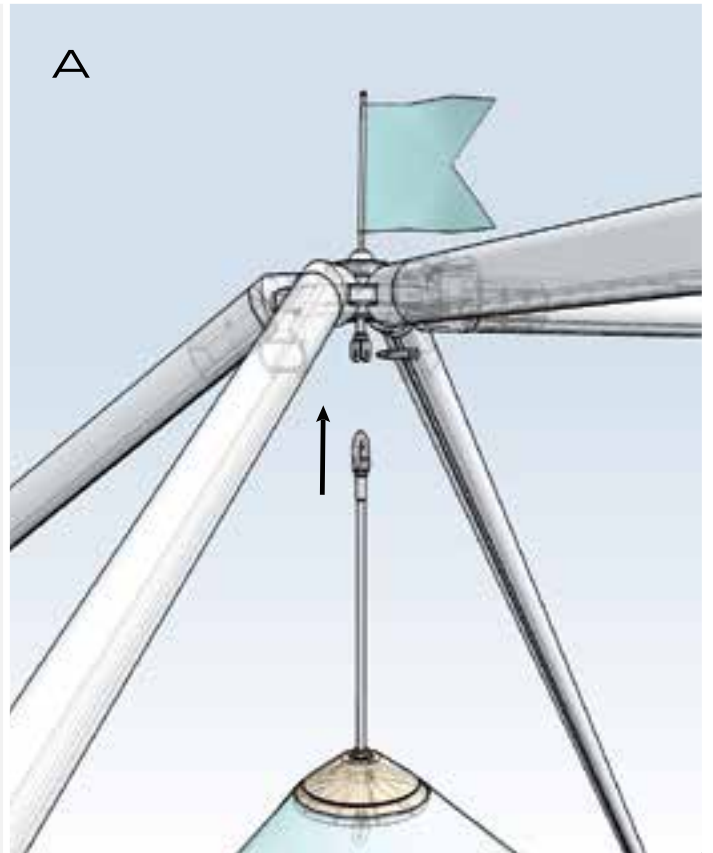
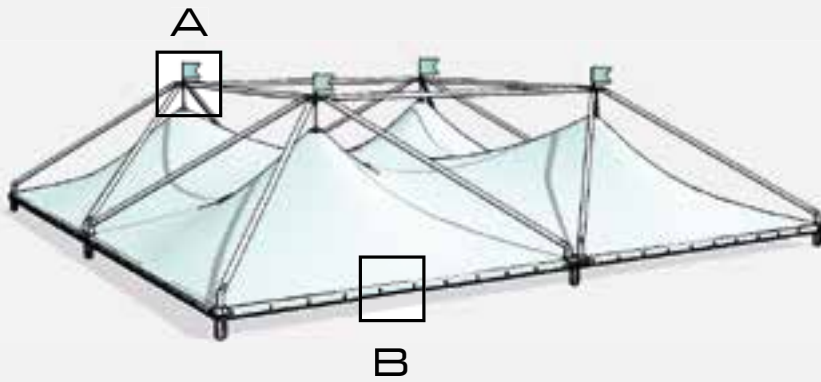


ASSEMBLY

3

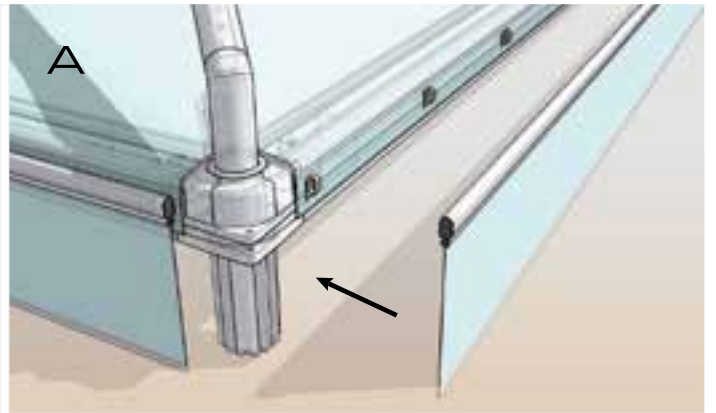
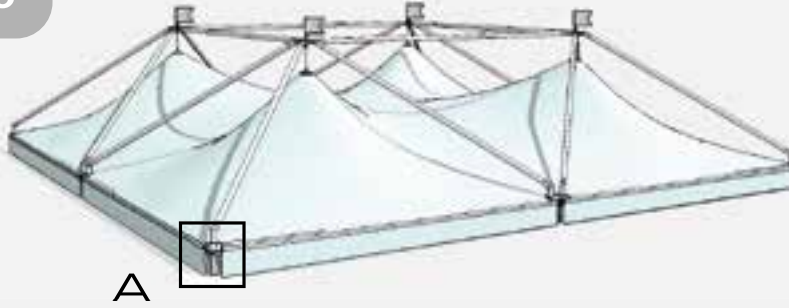


4

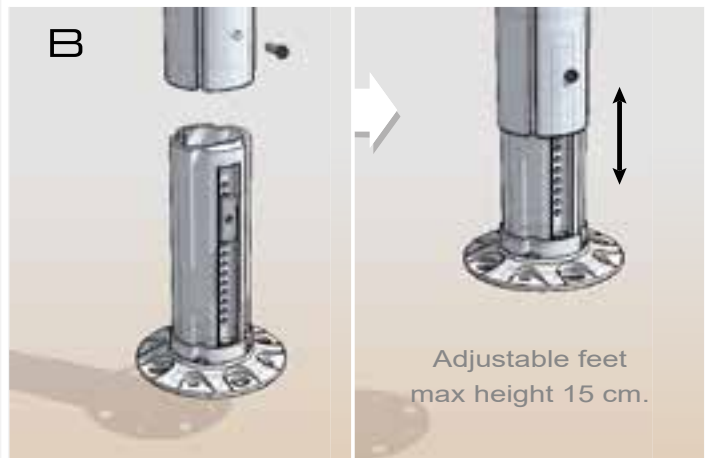
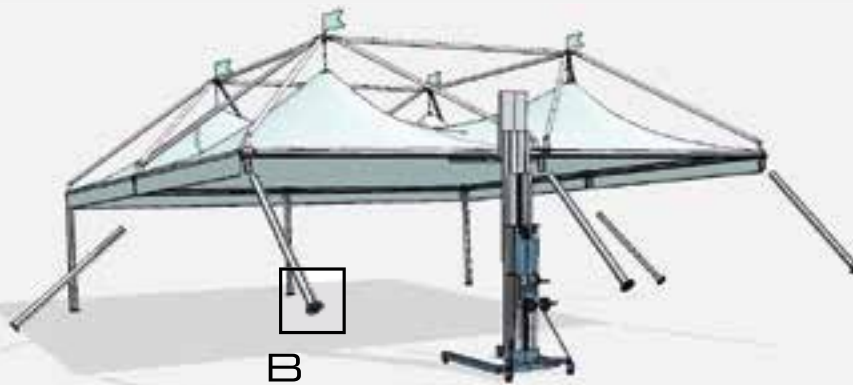
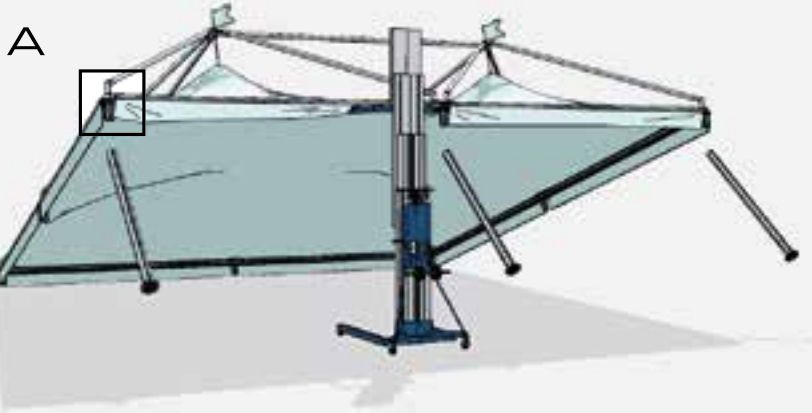


ASSEMBLY

5

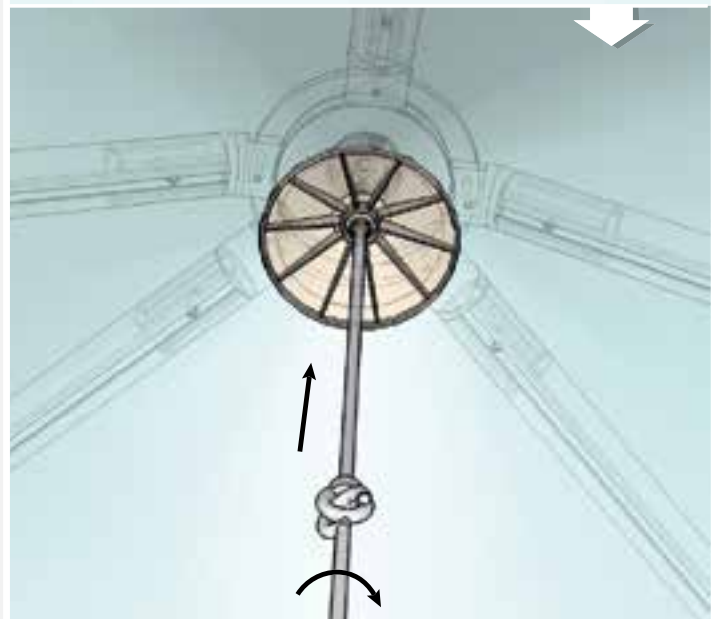
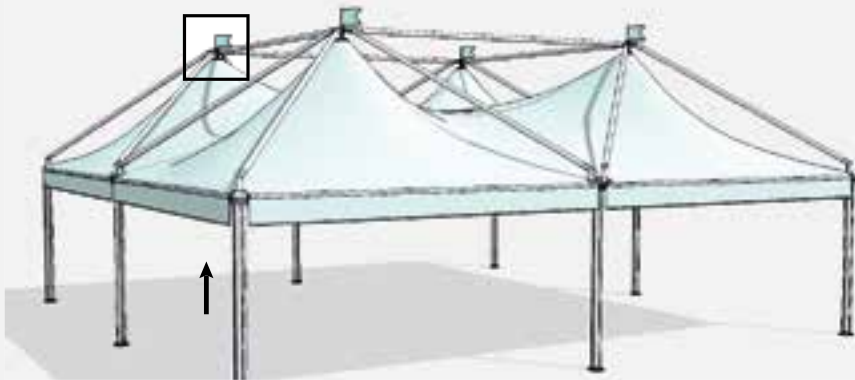


6



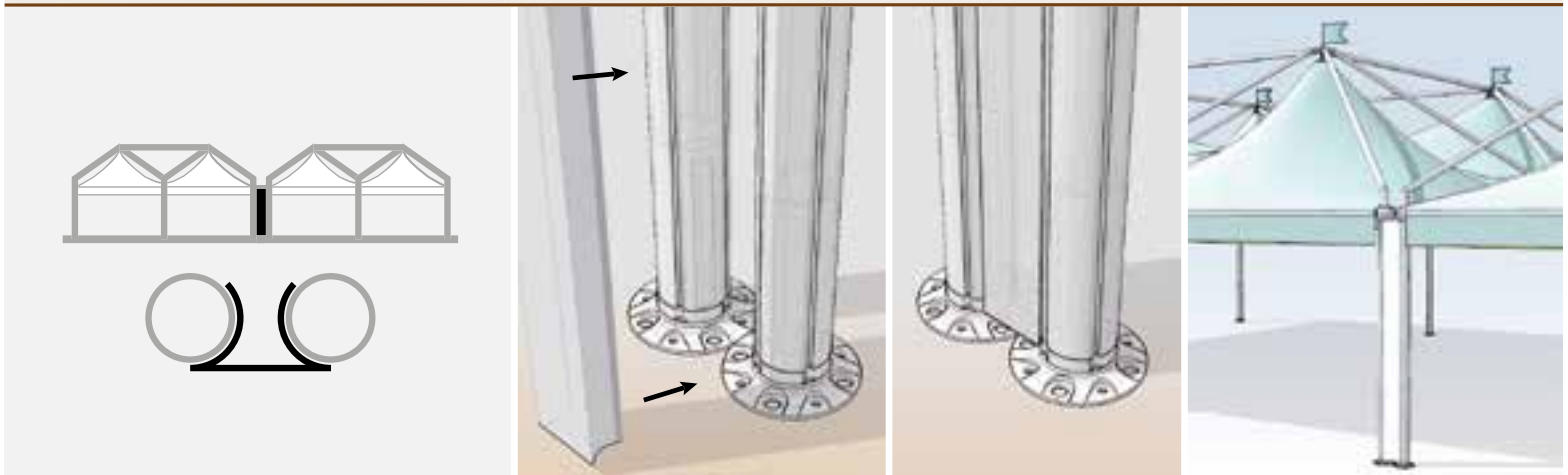
ASSEMBLY

7

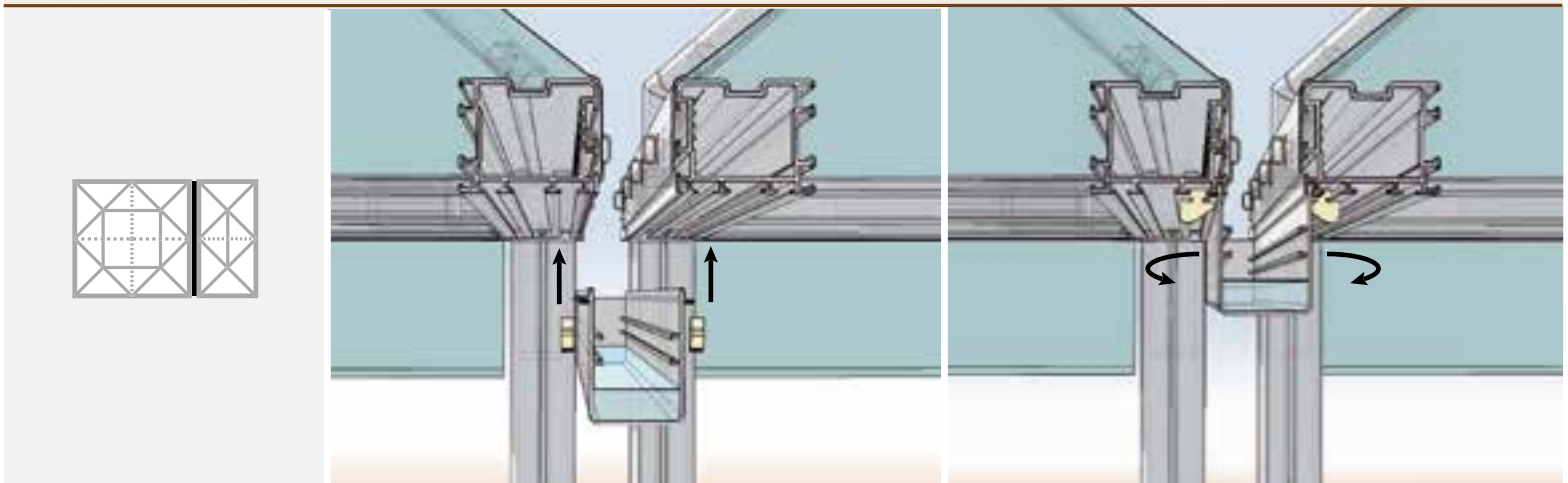


OPTIONS - FRAME

JUNCTION FILLER



KIT FOR MODULES' CONNECTION



CENTRAL JOINT







Giulio Barbieri S.r.l.

www.giuliobarbieri.it

Via Ferrara, 41

44028 Poggio Renatico (FE) - Italy

info@giuliobarbieri.it

Tel. (+39) 0532 821511

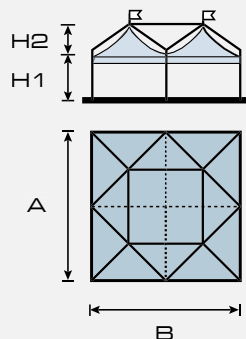
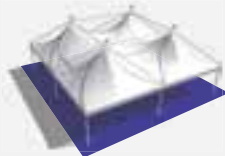
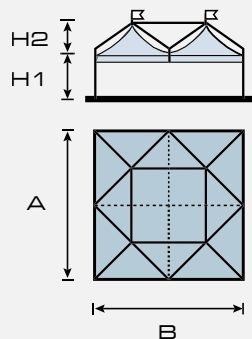
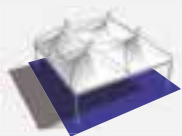
Fax (+39) 0532 821555



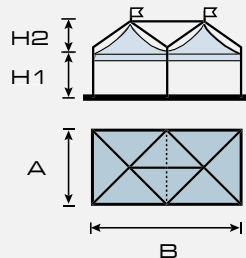
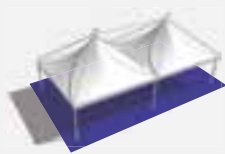
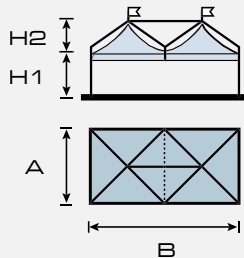
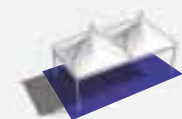


FESTIVAL

FESTIVAL

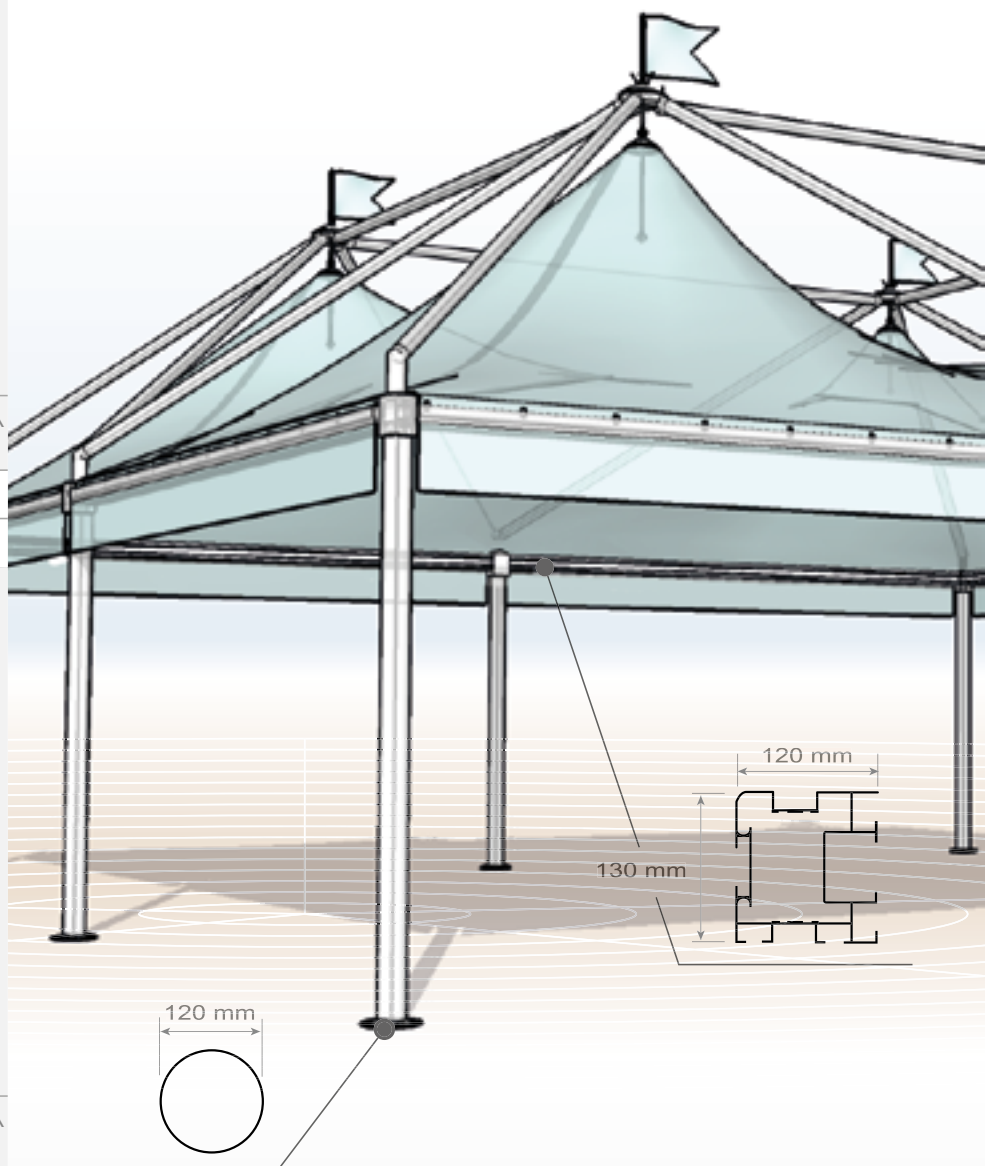


A=B (cm)	H1 (cm)	H2 (cm)	AREA (m ²)	A=B (m ²)	H1 (cm)	H2 (cm)	AREA (m ²)
800	*	195	64	1000	*	235	100
				1200	*	275	144



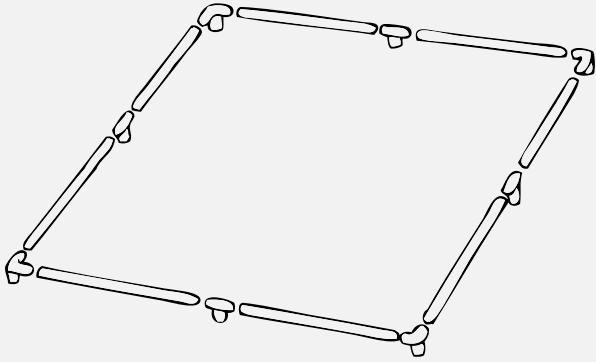
A (cm)	B (cm)	H1 (cm)	H2 (cm)	AREA (m ²)	A (cm)	B (cm)	H1 (cm)	H2 (cm)	AREA (m ²)
400	800	*	195	32	500	1000	*	235	50
					600	1200	*	275	72

* = The tent is supplied with static calculations for a max eave height of 300 cm.

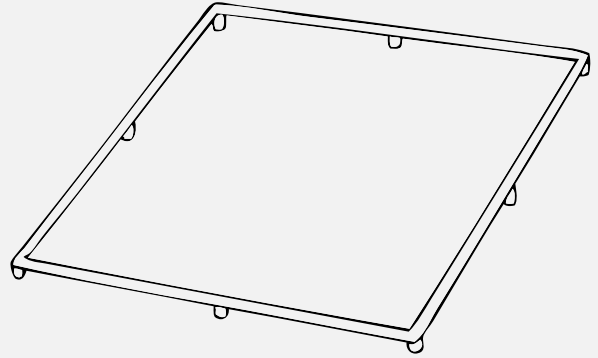


ASSEMBLY

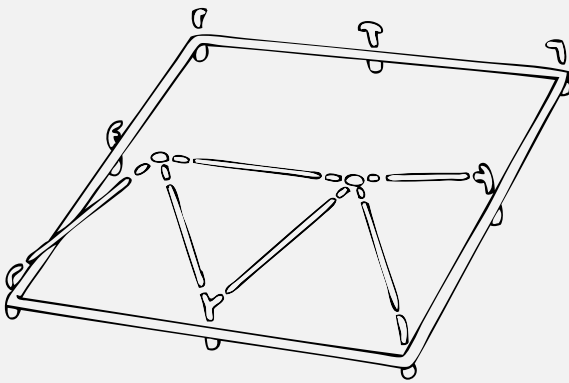
1



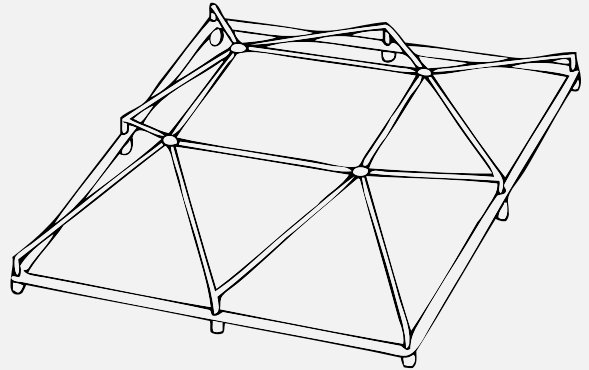
2



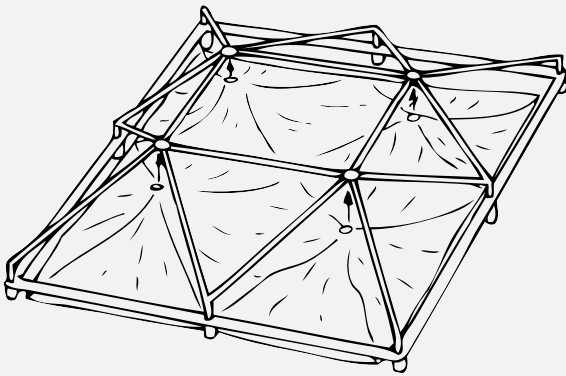
3



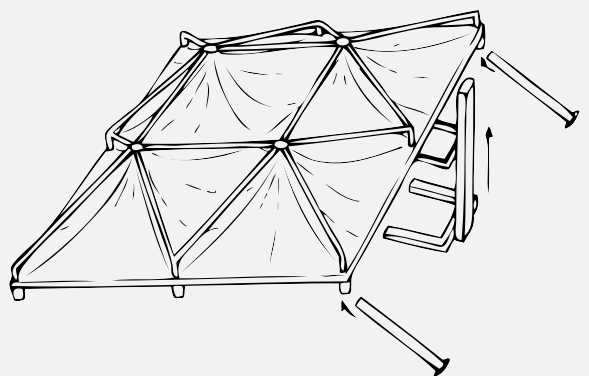
4



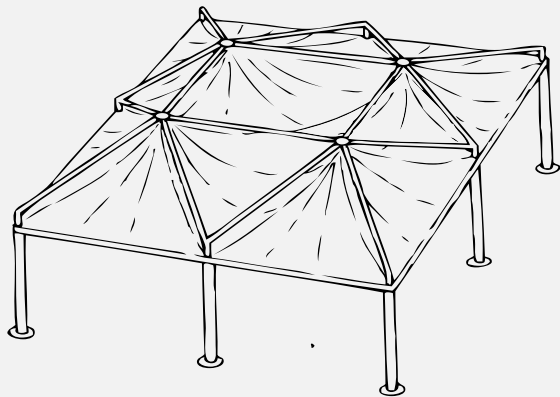
5



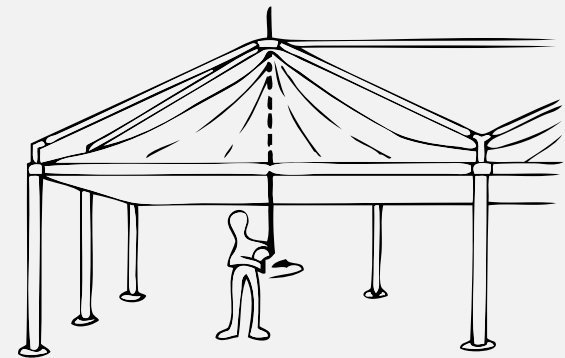
6



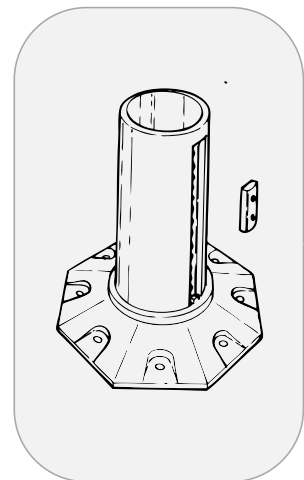
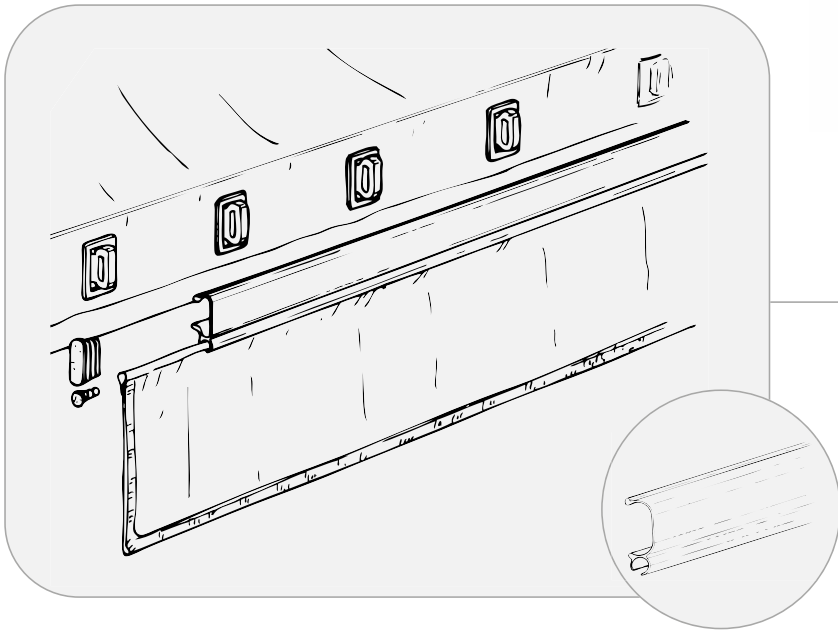
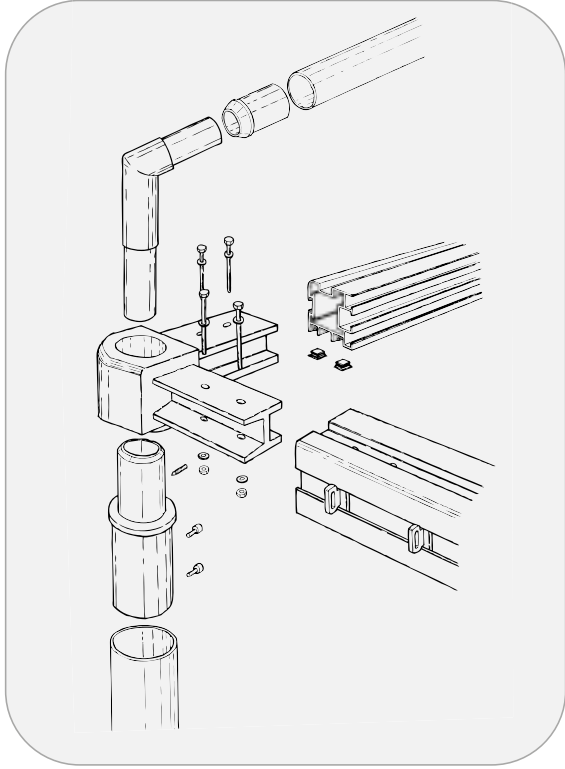
7

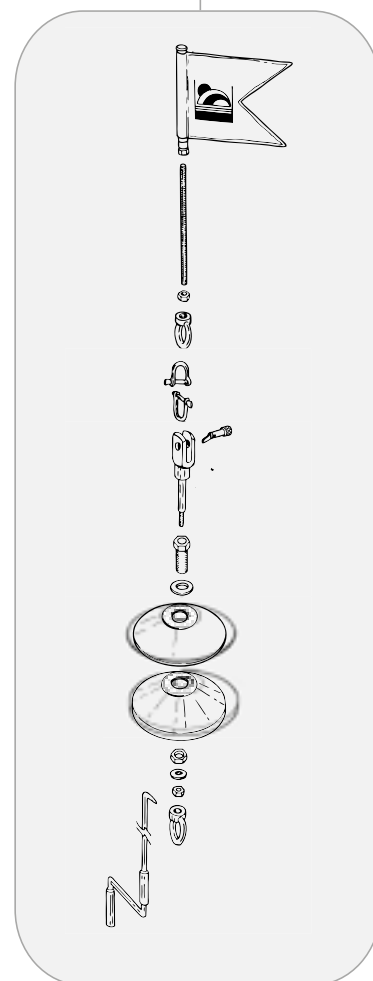
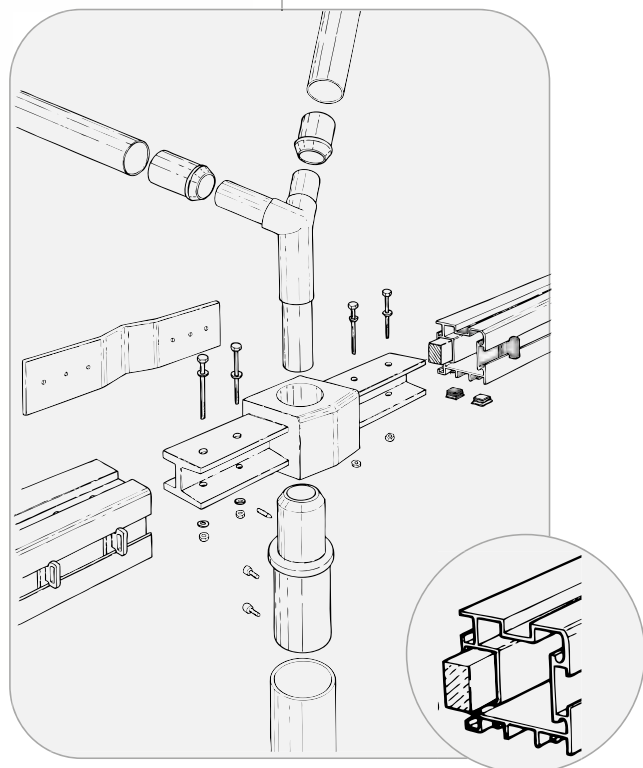
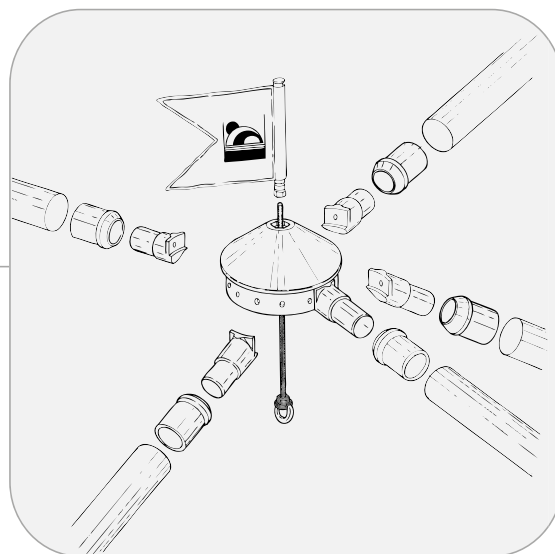
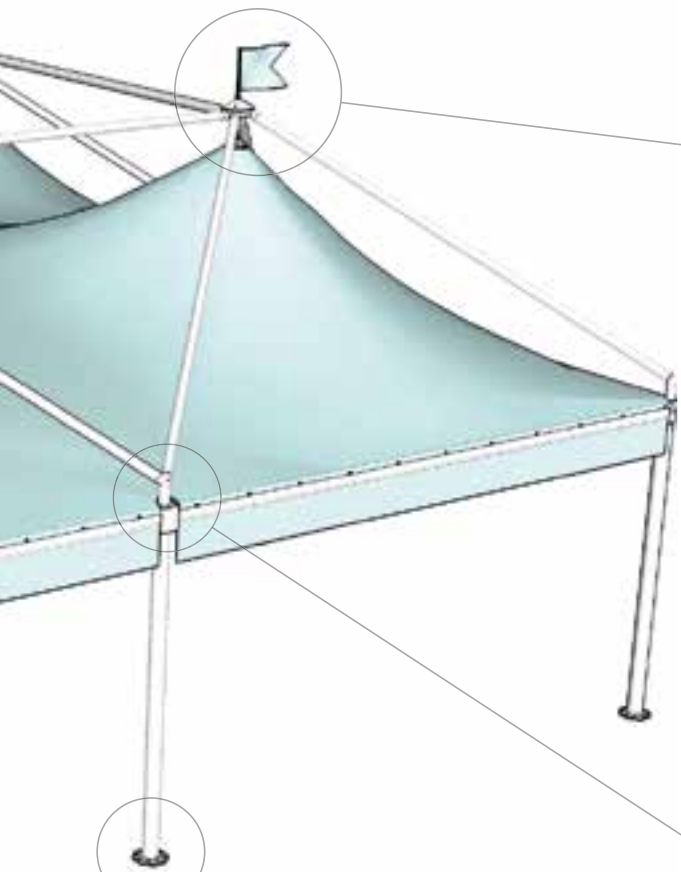


8



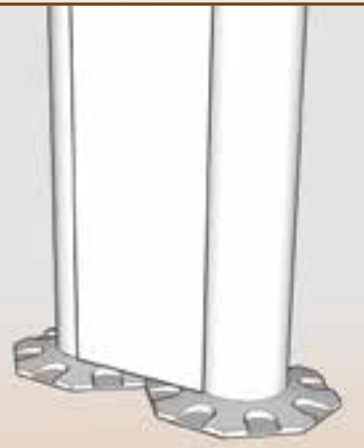
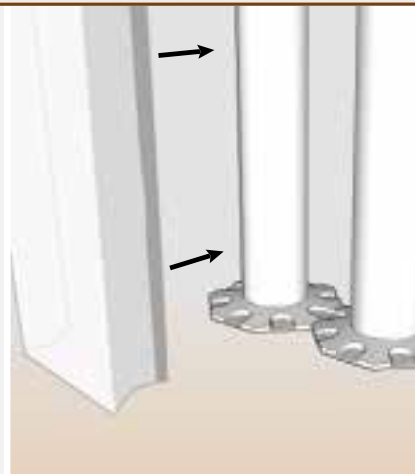
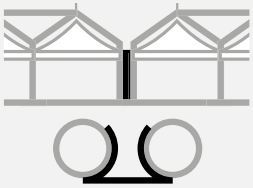
TECHNICAL DRAWINGS



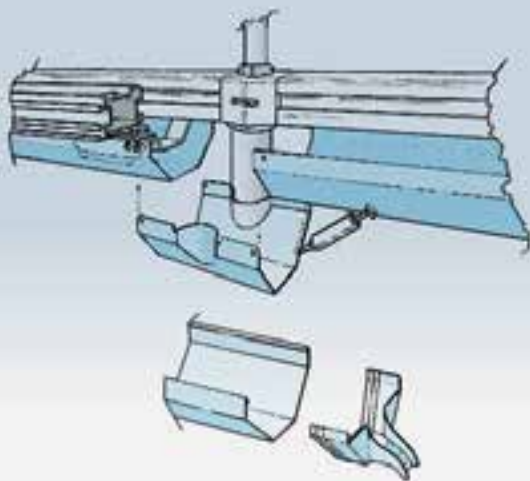


OPTIONS - FRAME

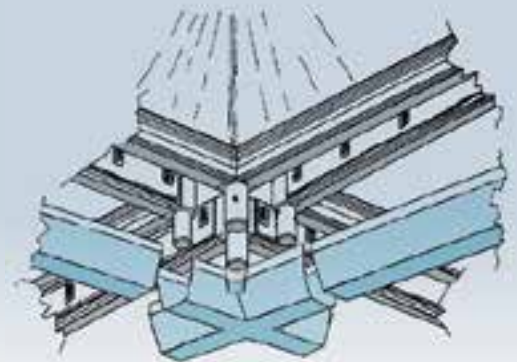
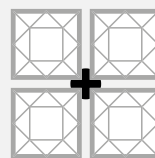
JUNCTION FILLER



KIT FOR MODULES' CONNECTION



CENTRAL JOINT







GIULIO BARBIERI
OUTDOOR SOLUTIONS

Giulio Barbieri S.r.l.

www.giuliobarbieri.it

Via Ferrara, 41

44028 Poggio Renatico (FE) - Italy

info@giuliobarbieri.it

Tel. (+39) 0532 821511

Fax (+39) 0532 821555

