



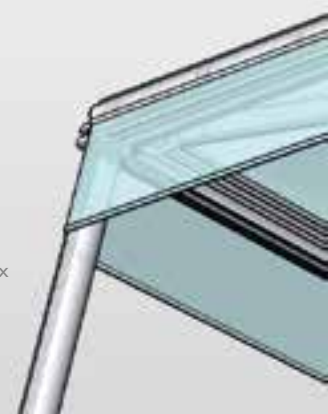
Dynamic

DIMENSIONS

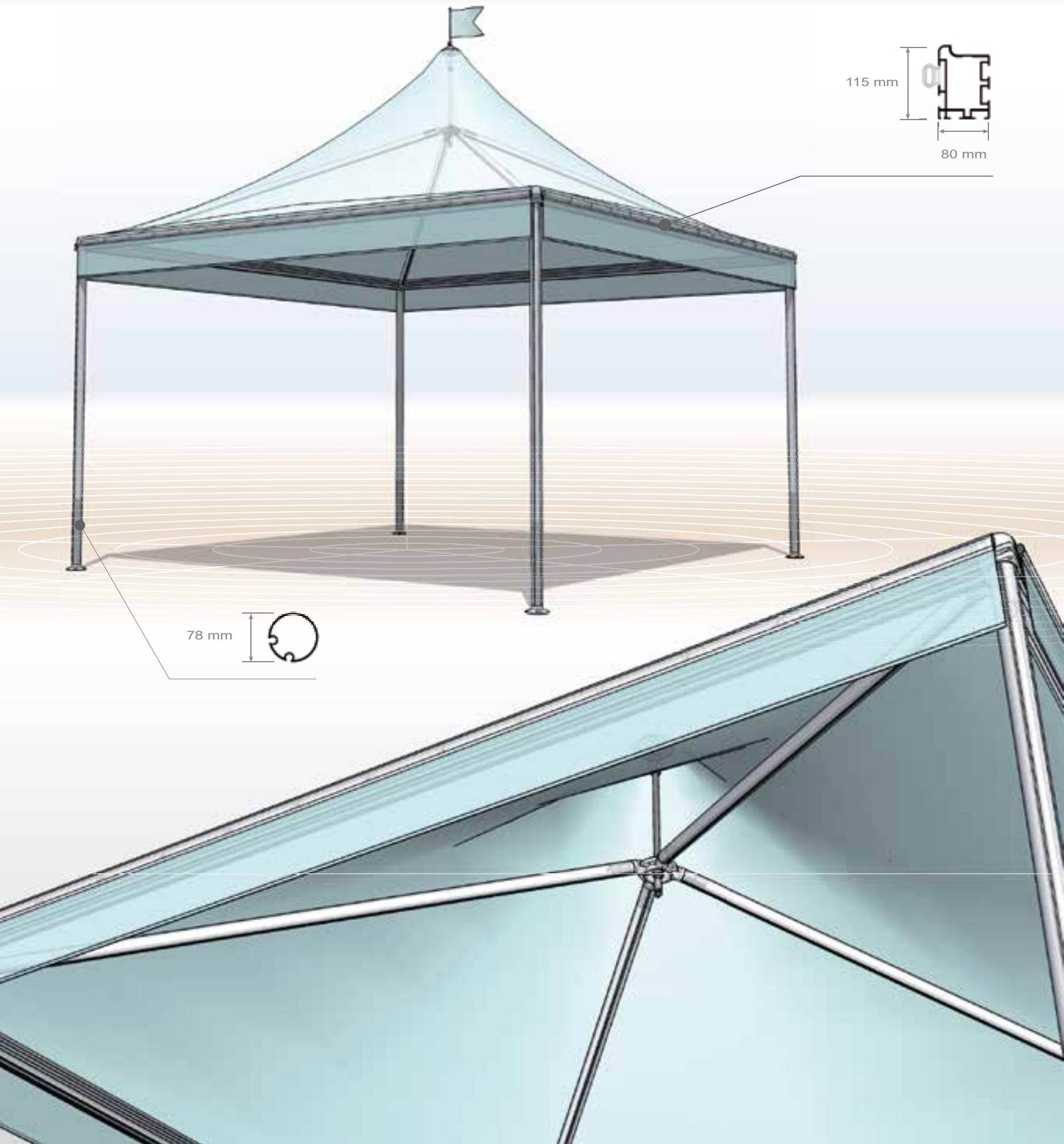
Dynamic 4									Dynamic 6					Dynamic 8						
A=B (cm)	H1 (cm)	H2 (cm)	AREA (m ²)	A (cm)	B (cm)	H1 (cm)	H2 (cm)	AREA (m ²)	A (cm)	H1 (cm)	H2 (cm)	D (cm)	E (cm)	AREA (m ²)	A (cm)	H1 (cm)	H2 (cm)	D (cm)	E (cm)	AREA (m ²)
300	*	150	9,00	300	400	*	170	12,00	300	*	200	600	520	23,40	300	*	250	785	725	43,50
400	*	190	16,00	300	500	*	195	15,00	400	*	255	800	690	41,50	400	*	330	1045	965	77,50
500	*	230	25,00	300	600	*	220	18,00	500	*	305	1000	865	65,00						
600	*	270	36,00	400	500	*	210	20,00												
				400	600	*	235	24,00												
				500	600	*	250	30,00												

Dynamic MULTI													
A (cm)	B (cm)	H1 (cm)	H2 (cm)	AREA (m ²)	A (cm)	B (cm)	H1 (cm)	H2 (cm)	AREA (m ²)	A=B (cm)	H1 (cm)	H2 (cm)	AREA (m ²)
300	600	*	150	18,00	300	900	*	150	27,00	700	*	170	49,00
400	800	*	190	32,00	400	1200	*	190	48,00				
500	1000	*	230	50,00	500	1500	*	230	75,00				
600	1200	*	270	72,00	600	1800	*	270	108,00				

* = The tent is supplied with static calculations for a max eave height of 300 cm.



TECHNICAL DETAILS

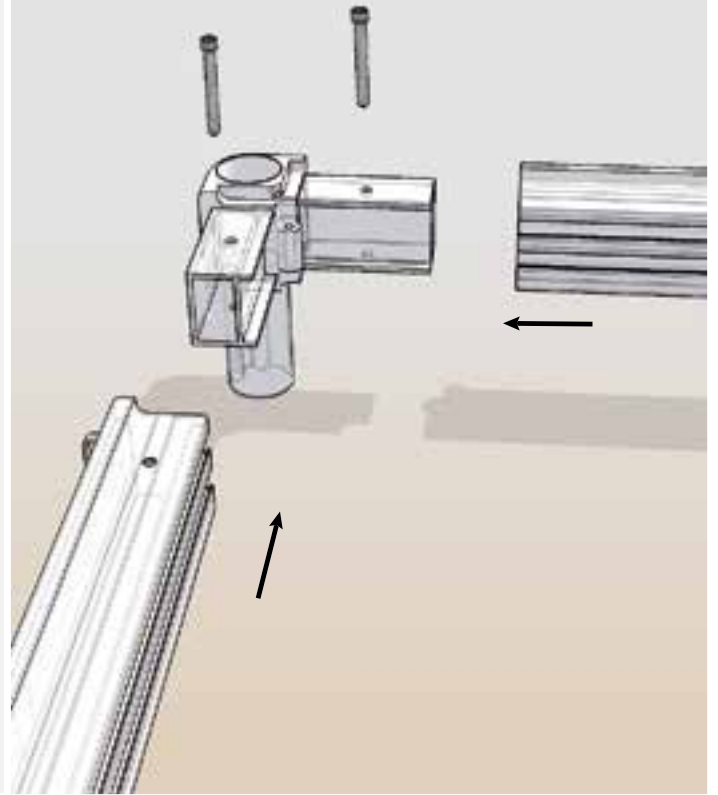


ASSEMBLY

1



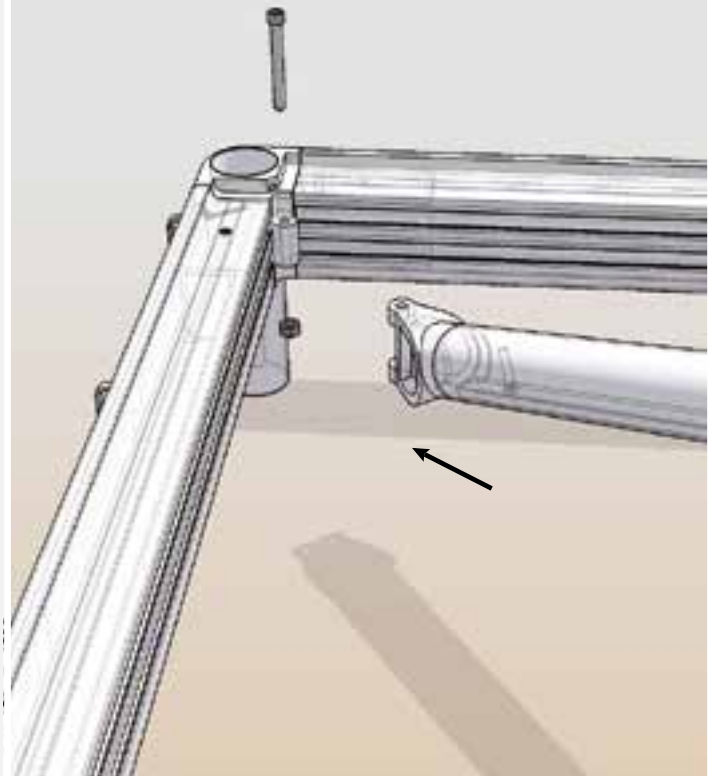
A



2

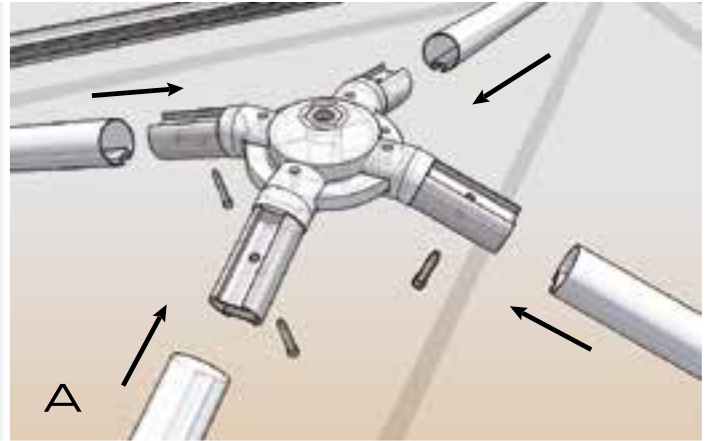
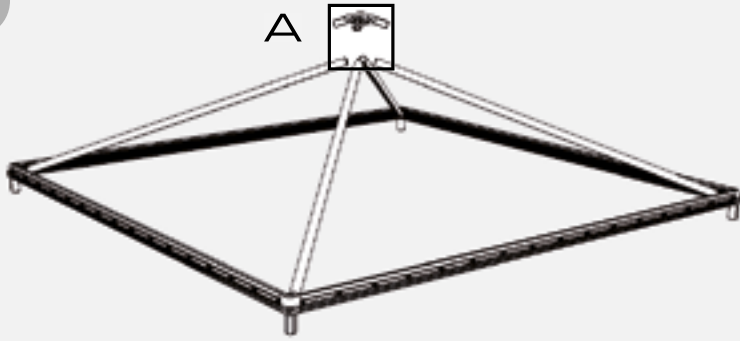


A

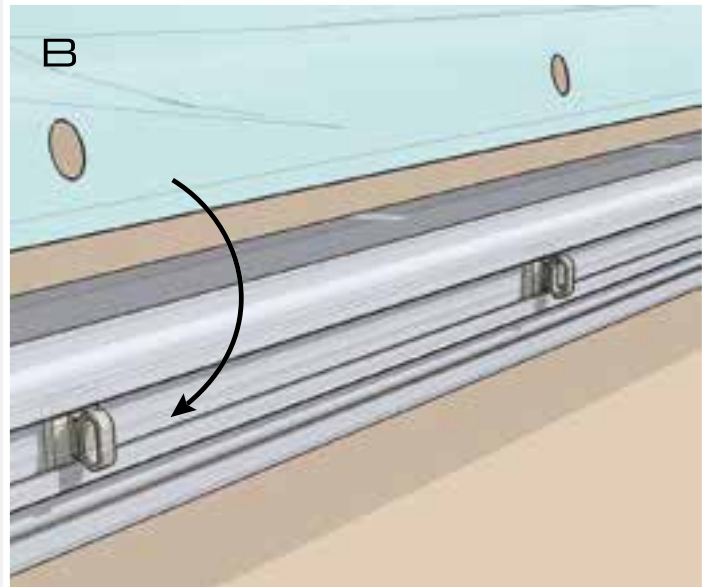
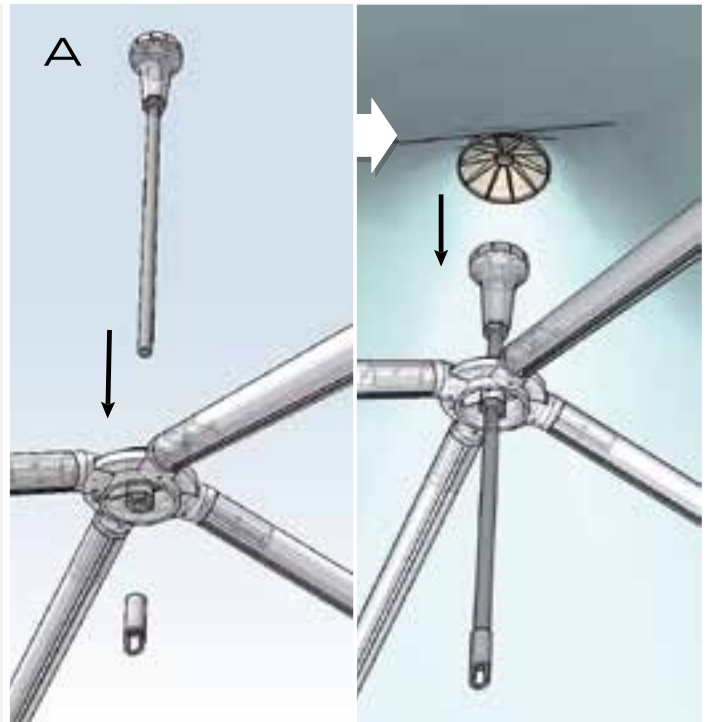
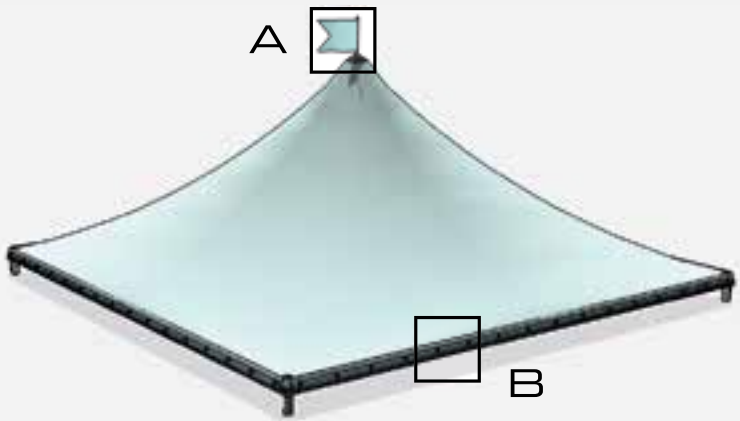


ASSEMBLY

3

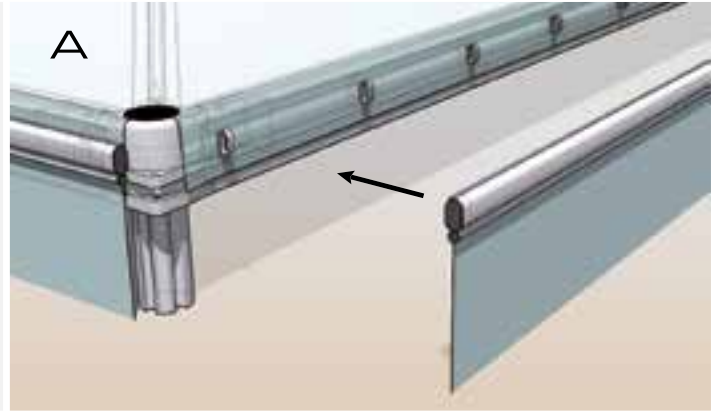
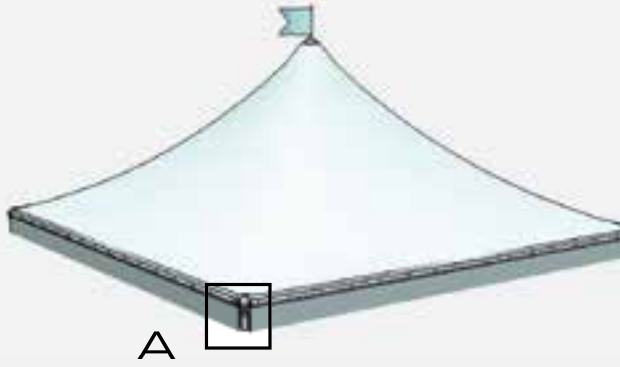


4

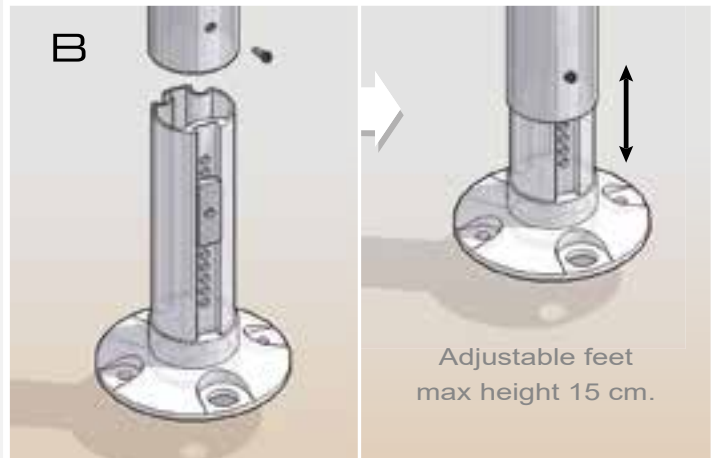
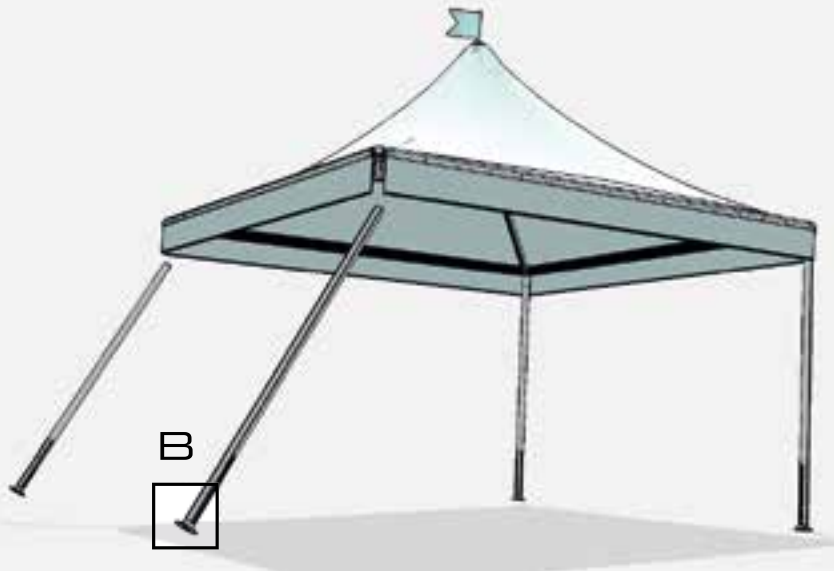
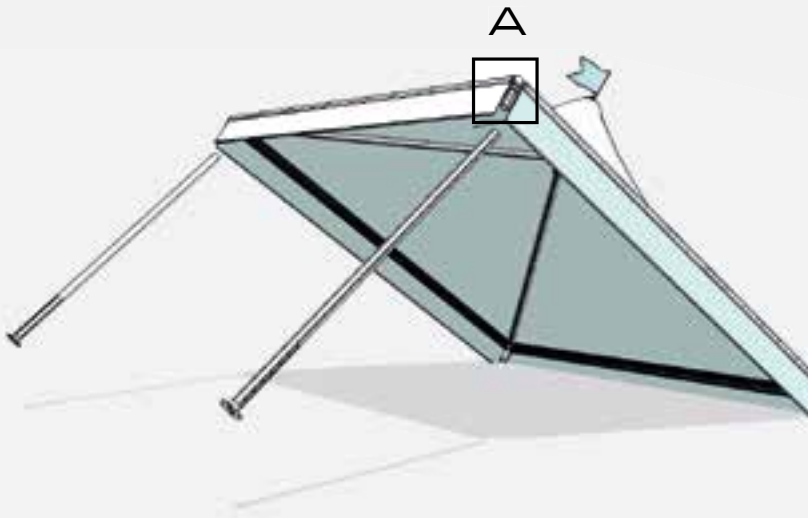


ASSEMBLY

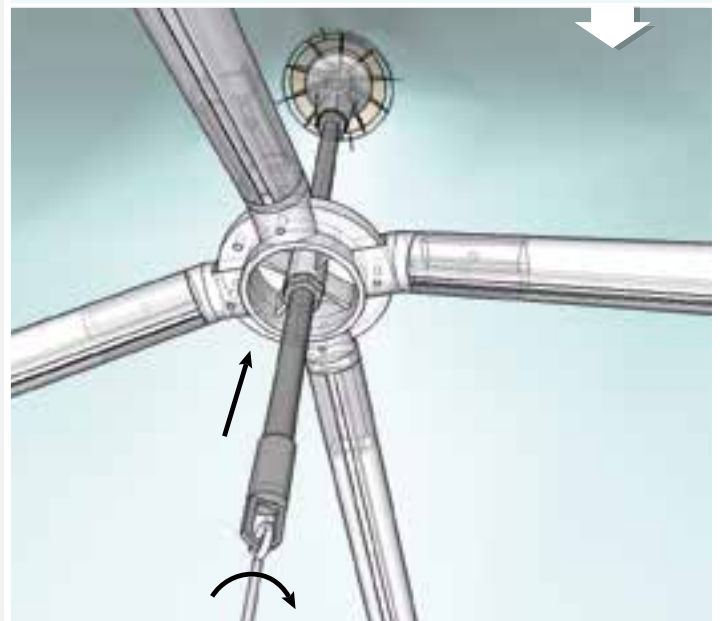
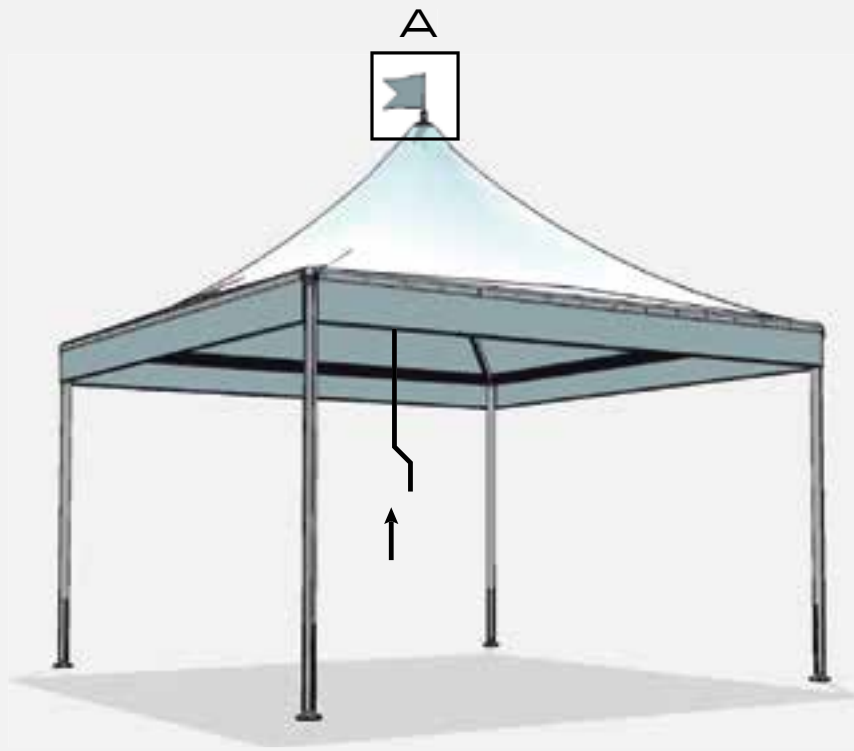
5



6

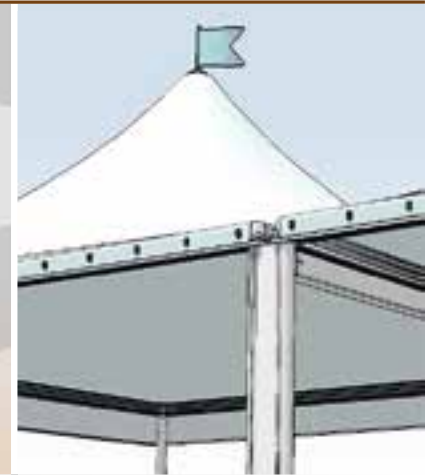
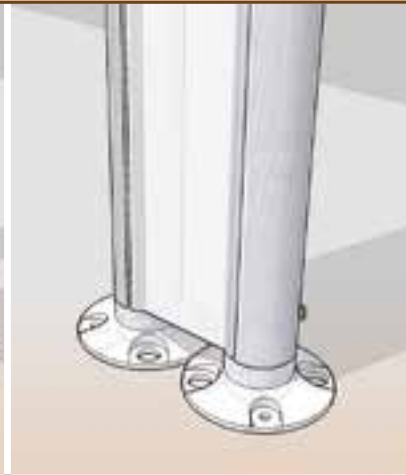
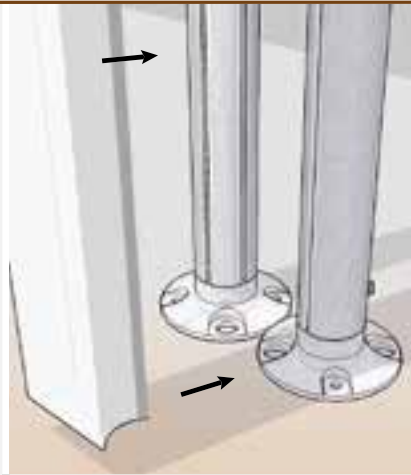
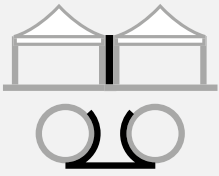


7

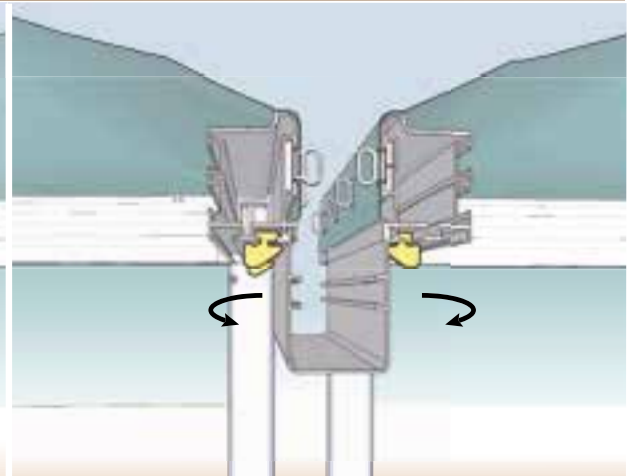
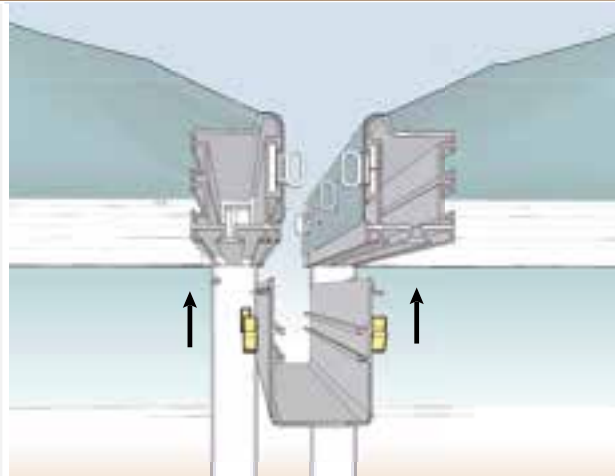
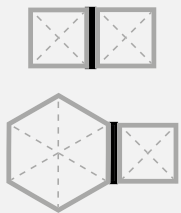


OPTIONS - FRAME

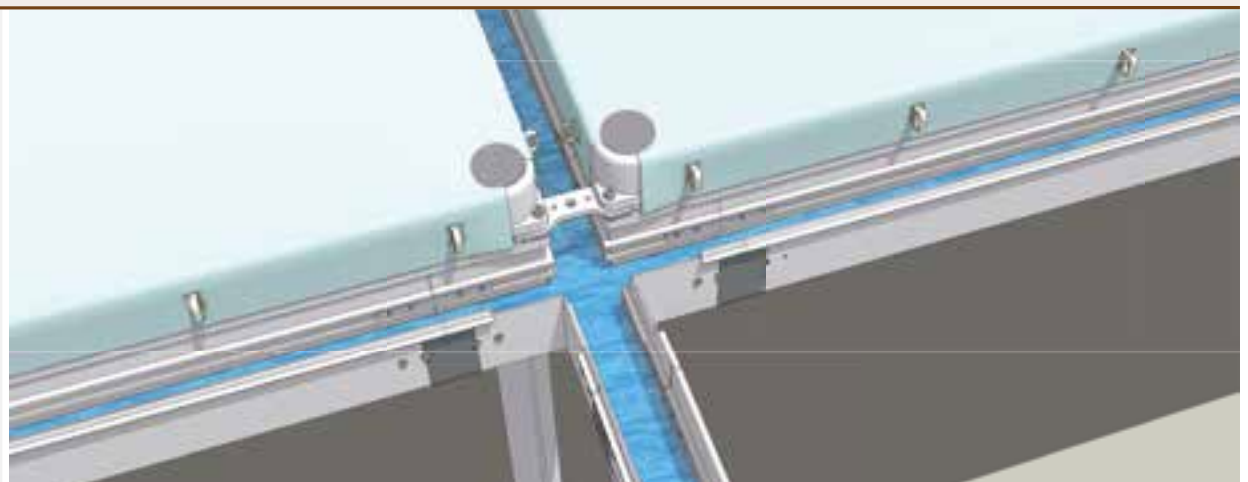
JUNCTION FILLER



KIT FOR MODULES' CONNECTION



CENTRAL JOINT







Giulio Barbieri S.r.l.

www.giuliobarbieri.it

Via Ferrara, 41

44028 Poggio Renatico (FE) - Italy

info@giuliobarbieri.it

Tel. (+39) 0532 821511

Fax (+39) 0532 821555

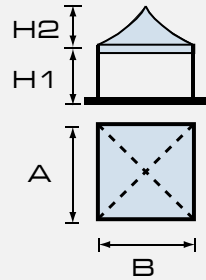
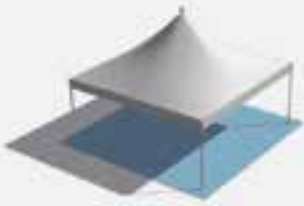






America

America



A=B (cm)	H1 (cm)	H2 (cm)	AREA (cm ²)
300	240	105	9,00
400	240	140	16,00
450	240	155	20,25



The new America marquee is the ideal solution for creating elegant and comfortable covered spaces, it is suitable for all types of outdoor events and comes at a competitive price. The robust structure can be installed quickly without the use of any specialist tools or equipment.

OPTIONS



- Stakes and safety strap (see pag. 106)
- Walls with central opening

